

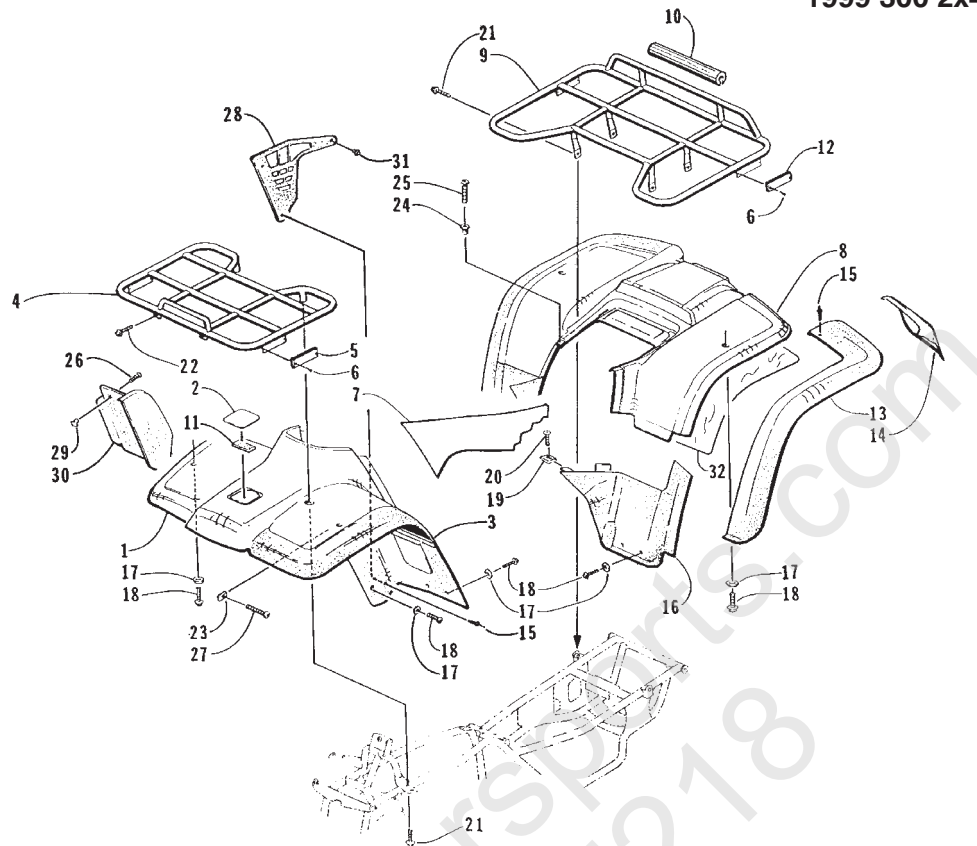
TABLE OF CONTENTS

250 2x4, 300 2x4, and 300 4x4

(Model No. 99A2J-AP, 99A2C-AP, and 99A4C-AP)

BODY PANEL ASSEMBLY	1
TAILLIGHT ASSEMBLY	2
DECALS	3
FRAME AND RELATED PARTS	4
SEAT ASSEMBLY	5
STEERING ASSEMBLY	6
FRONT SUSPENSION ASSEMBLY	7
REAR SUSPENSION ASSEMBLY	8
WHEEL AND TIRE ASSEMBLY	9
MECHANICAL BRAKE ASSEMBLY	10
HYDRAULIC BRAKE CONTROL ASSEMBLY	11
HYDRAULIC BRAKE ASSEMBLY	12
FUEL TANK ASSEMBLY	13
REVERSE SHIFT LEVER ASSEMBLY	14
AIR INTAKE ASSEMBLY	15
SHIFTER ASSEMBLY	16
ENGINE AND RELATED PARTS	17
OIL COOLER ASSEMBLY	18
ELECTRICAL COMPONENTS	19
CARBURETOR	20
CYLINDER HEAD ASSEMBLY	21
CYLINDER ASSEMBLY	22
CRANKCASE ASSEMBLY	23
CRANKCASE COVER ASSEMBLY	24
CRANKSHAFT ASSEMBLY	25
STARTER CLUTCH ASSEMBLY	26
CAM SHAFT VALVE ASSEMBLY	27
CAM CHAIN ASSEMBLY	28
RECOIL STARTER ASSEMBLY	29
OIL PUMP ASSEMBLY	30
CLUTCH ASSEMBLY	31
TRANSMISSION ASSEMBLY	32
SECONDARY TRANSMISSION ASSEMBLY	33
SECONDARY GEAR/PROPELLER SHAFT ASSEMBLY	34
GEAR SHIFTING ASSEMBLY	35
DIFFERENTIAL GEAR ASSEMBLY (300 4x4)	36
DIFFERENTIAL LOCK ASSEMBLY (300 4x4)	37
STARTER MOTOR ASSEMBLY	38
MAGNETO ASSEMBLY	39
CONTROL SWITCH HOUSING ASSEMBLY	40
THROTTLE CASE ASSEMBLY	41
RELATED ITEMS	Back Cover

NOTE: The illustrations used in this Parts Manual are for reference to replacement part numbers only and are not to be used for assembly. For assembly procedures, use Arctic Cat Service Manuals. Underlined part numbers are new for the 1999 model year.

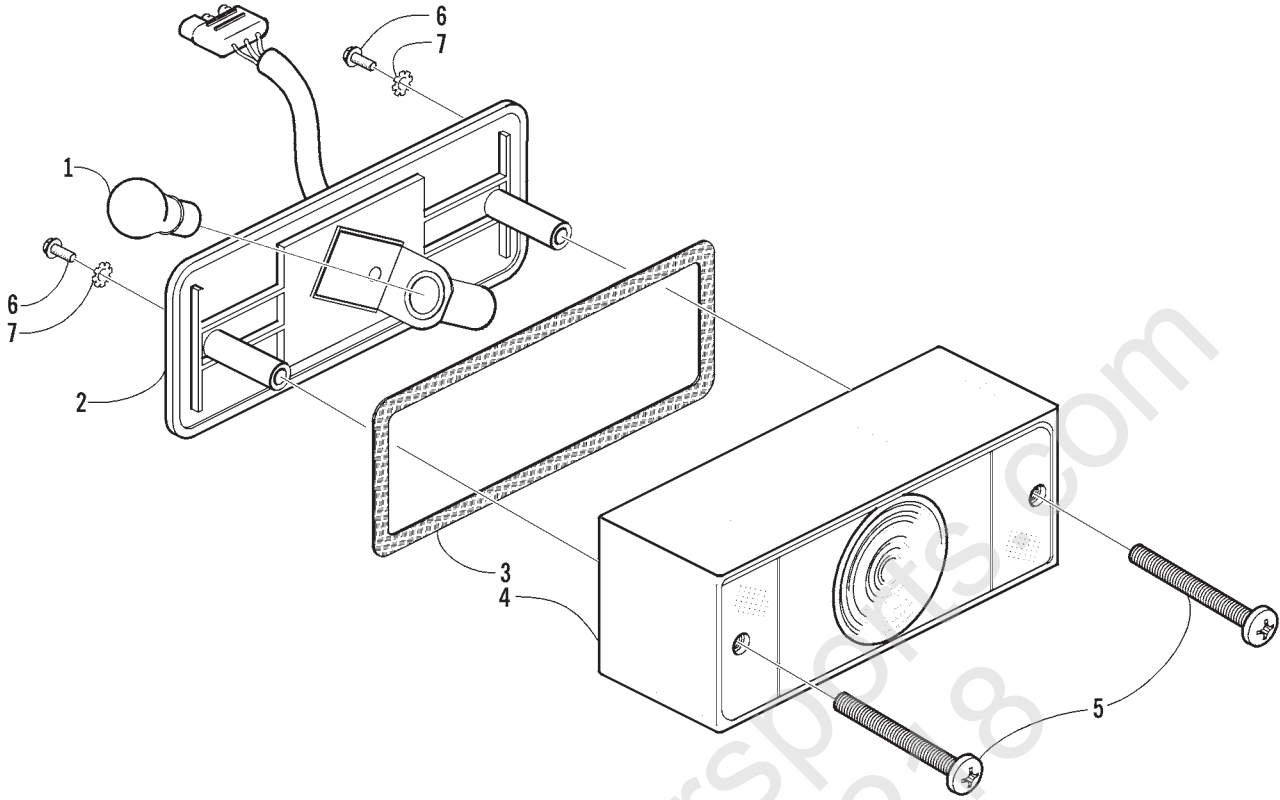


BODY PANEL ASSEMBLY

0733-613 *Not Illustrated

Ref.	Part No.	Qty.	Description	Ref.	Part No.	Qty.	Description
1	0506-257	1	Panel, Fender - Front (4x4) (Red)	15	0423-046	58	Rivet, Plastic (4x4)
	<u>0506-303</u>	1	Panel, Fender - Front (4x4) (Green)		0423-046	10	Rivet, Plastic (2x4)
	0506-239	1	Panel, Fender - Front (2x4) (Red)	16	0506-160	1	Fender Extension - Rear Right (4x4)
2	0506-153	1	Cover, Access (Red) (inc. 11)		0506-161	1	Fender Extension - Rear Left (4x4)
	0506-145	1	Cover, Access (Green) (inc. 11)		0406-084	1	Fender Extension - Rear Right (2x4)
3	0506-274	1	Flare - Front Right (4x4)		0406-085	1	Fender Extension - Rear Left (2x4)
	0506-275	1	Flare - Front Left (4x4)	17	0423-010	25	Washer, Body (4x4)
4	0506-191	1	Rack - Front (300)		0423-010	22	Washer, Body (2x4)
	<u>0506-285</u>	1	Rack - Front (250)	18	8474-616	25	Screw, Machine (4x4)
5	0606-526	2	Reflector - Yellow		8474-616	22	Screw, Machine (2x4)
6	0623-269	8	Clip, Retaining	19	0423-060	2	Clip, Tinerman
7	0506-242	1	Panel, Side - Right (Red)	20	0623-309	2	Screw, Self-Tapping
	0506-243	1	Panel, Side - Left (Red)	21	8409-020	6	Screw, Cap
	0506-164	1	Panel, Side - Right (Green)	22	8408-812	2	Screw, Cap
	0506-165	1	Panel, Side - Left (Green)	23	0423-031	2	Nut, Speed
8	0506-258	1	Panel, Fender - Rear (4x4) (Red)	24	0123-010	2	Nut, Expansion
	<u>0506-302</u>	1	Panel, Fender - Rear (4x4) (Green)	25	0423-068	2	Screw, Machine
	0506-245	1	Panel, Fender - Rear (2x4) (Red)	26	8477-610	4	Screw, Machine
9	0506-190	1	Rack - Rear (300)	27	8476-616	2	Screw, Machine
	<u>0506-284</u>	1	Rack - Rear (250)	28	0406-374	2	Panel, Deflector
10	0406-293	1	Wrap, Tube - Rear Rack	29	0423-077	4	T-Nut
11	0417-002	1	Foam, Access Panel	30	0506-272	1	Flare - Front Right (2x4)
12	0606-029	2	Reflector - Red		0506-273	1	Flare - Front Left (2x4)
13	0406-082	1	Flare - Rear Right (4x4)	31	0623-362	2	Rivet, Plastic
	0406-083	1	Flare - Rear Left (4x4)	32	0619-230	1	Foil (3 in. x 24 in.)*
14	0406-086	1	Mud Flap - Right (4x4)				
	0406-087	1	Mud Flap - Left (4x4)				

1999 250 2x4
 1999 300 2x4 and 300 4x4

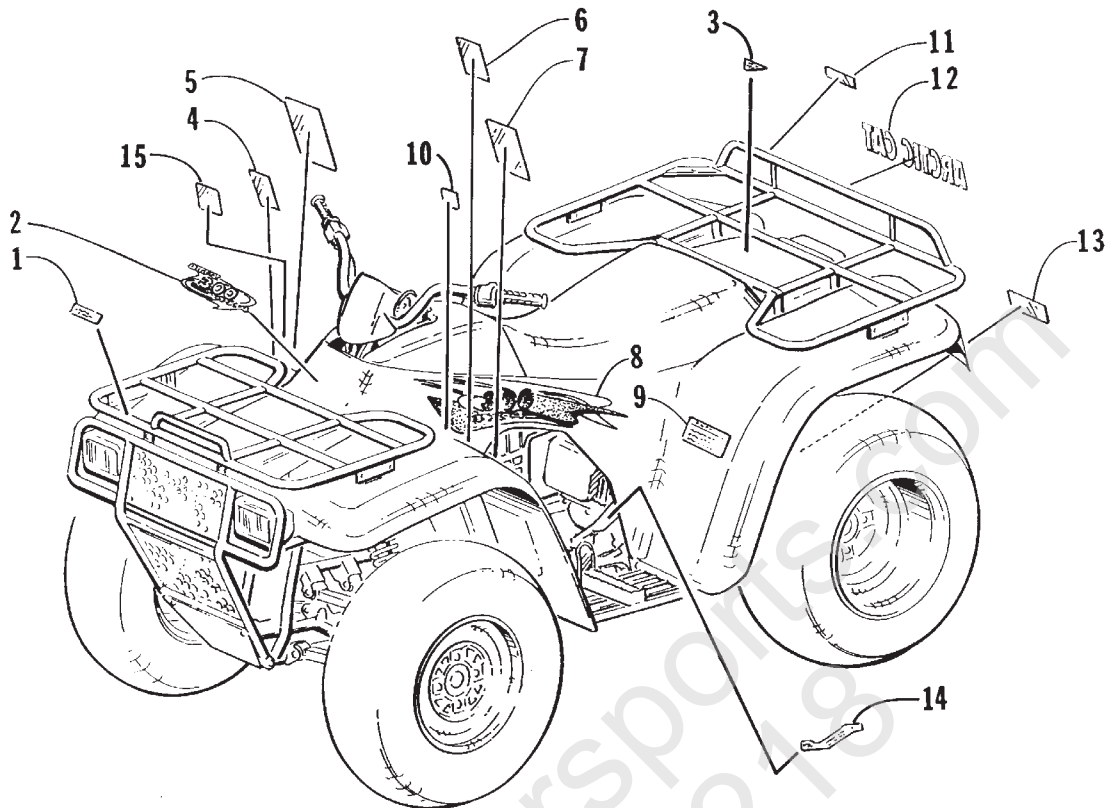


TAILLIGHT ASSEMBLY

(Complete Taillight Assembly p/n 0409-002)

0732-336

Ref. art No.	Qty.	Description	Ref. Part No.	Qty.	Description		
1	0109-460	1	Bulb, Stop - Taillight	5	0409-010	2	Screw, Machine
2	0409-011	1	Taillight w/Socket Assembly	6	0623-301	2	Screw, Self-Tapping
3	0409-012	1	Gasket, Taillight	7	8053-212	2	Washer, Lock - External Tooth
4	0409-007	1	Lens, Taillight				

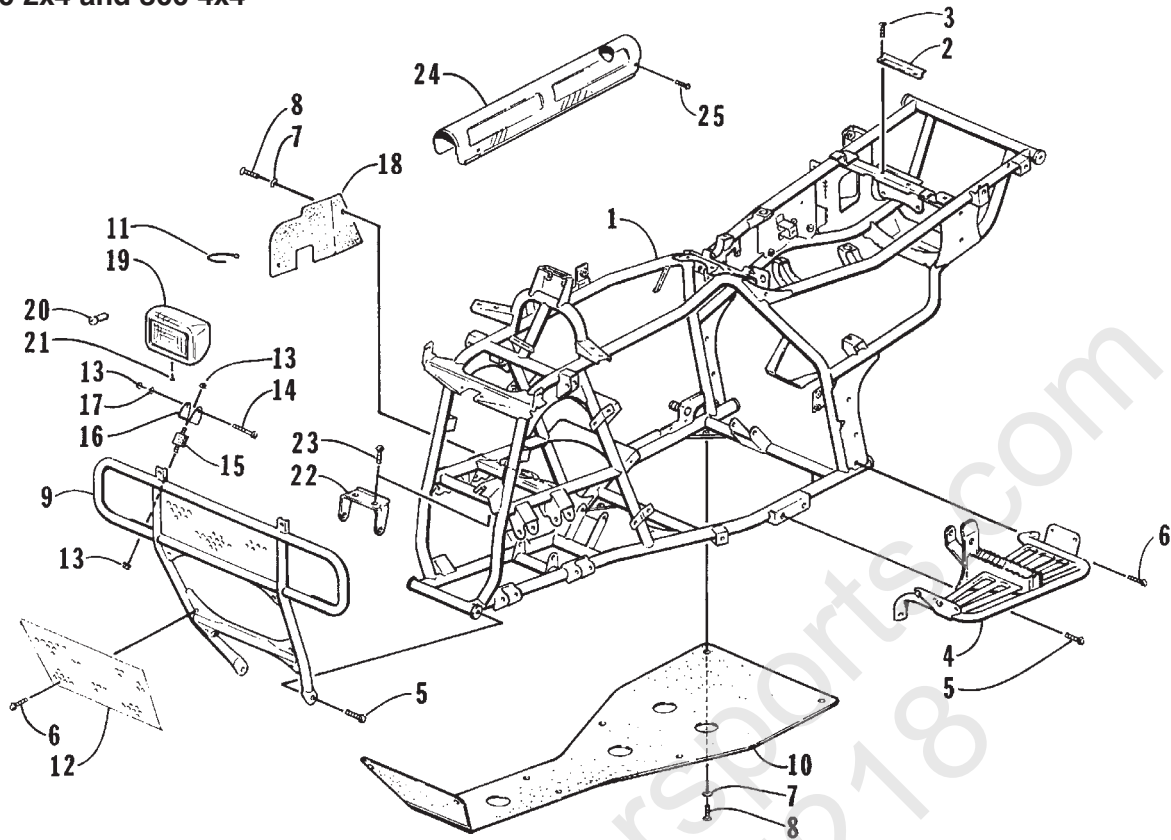


DECALS

0733-614

Ref.	Part No.	Qty.	Description	Ref.	Part No.	Qty.	Description
1	0411-082	1	Decal, Warning - Front Rack Load	9	0411-096	1	Decal, Warning - Tire Pressure (4x4) (300)
2	0411-109	1	Decal, Front (4x4) (300) (Red)	0411-089	1	Decal, Warning - Tire Pressure (2x4) (300)	
	0411-183	1	Decal, Front (4x4) (300) (Green)	0411-179	1	Decal, Warning - Tire Pressure (2x4) (250)	
	0411-108	1	Decal, Front (2x4) (300) (Red)	10	0411-086	1	Decal, Shift Pattern
	0411-178	1	Decal, Front (2x4) (250) (Red)	11	0411-083	1	Decal, Warning - Rear Rack Load
3	3611-002	1	Decal, "Made In U.S.A."	12	0411-043	1	Decal, "Arctic Cat"
4	0411-045	1	Decal, Warning - Turn	13	0411-142	1	Decal, Warning - Towing
5	0411-008	1	Decal, Warning Reverse/Pre Ride	14	0411-090	1	Decal, Hi/Low Range (4x4)
6	0411-040	1	Decal, Warning - Age	0411-088	1	Decal, Hi/Low Range (2x4)	
7	0411-010	1	Decal, Warning - General	15	0411-145	1	Decal, 2x4/4x4 Shift (4x4)
8	0411-110	1	Decal, Side Right (4x4) (300) (Red)				
	0411-111	1	Decal, Side Left (4x4) (300) (Red)				
	0411-184	1	Decal, Side Right (4x4) (300) (Green)				
	0411-185	1	Decal, Side Left (4x4) (300) (Green)				
	0411-106	1	Decal, Side Right (2x4) (300) (Red)				
	0411-107	1	Decal, Side Left (2x4) (300) (Red)				
	0411-176	1	Decal, Side Right (2x4) (250) (Red)				
	0411-177	1	Decal, Side Left (2x4) (250) (Red)				

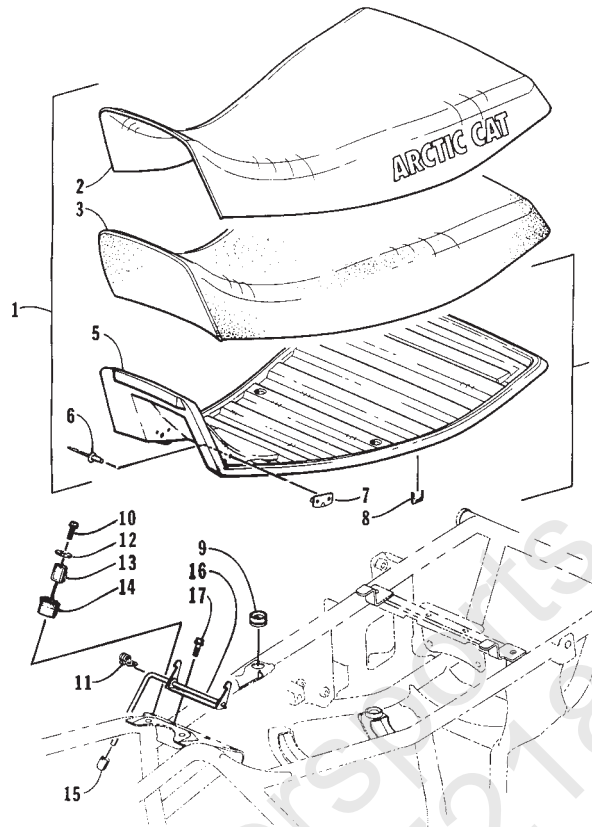
1999 250 2x4
 1999 300 2x4 and 300 4x4



FRAME AND RELATED PARTS

0733-713

Ref. art No.	Qty.	Description	Ref. Part No.	Qty.	Description		
1	0506-270	1	Frame, Main (4x4)	13	8424-802	6	Nut
	0506-188	1	Frame, Main (2x4)	14	8408-850	2	Screw, Cap
2	0406-372	1	Bracket, Body Holddown	15	0406-262	2	Mount, Headlight
3	8476-616	2	Screw, Machine	16	0406-261	2	Yoke, Headlight
4	0506-176	1	Footrest - Right	17	8053-242	2	Washer, Lock
	0506-217	1	Footrest - Left	18	0406-300	2	Panel, Inner Fender
5	8409-020	6	Screw, Cap	19	0409-001	2	Headlight Assembly (inc. 20-21)
6	8408-816	8	Screw, Cap	20	0409-005	2	• Bulb, Headlight
7	0423-010	12	Washer, Shoulder	21	0123-950	2	• Screw, Machine
8	8474-616	12	Screw, Machine	22	0506-210	1	Bracket, Differential (4x4)
9	0506-192	1	Guard, Brush	23	8408-820	2	Screw, Cap (4x4)
10	0406-354	1	Panel, Belly	24	0406-371	1	Cover, Front Driveshaft (4x4)
11	0123-788	6	Tie, Cable	25	8471-610	4	Screw, Cap (4x4)
12	0406-175	1	Screen, Bumper - Lower				

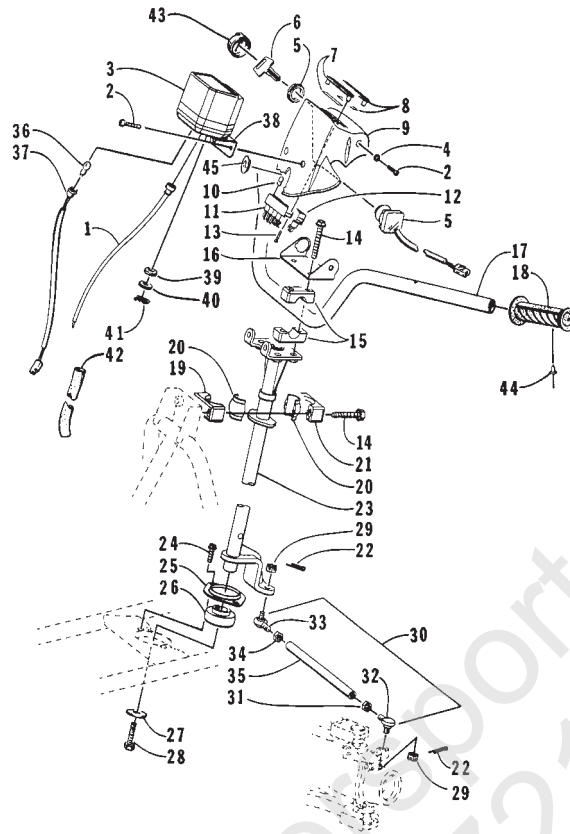


SEAT ASSEMBLY

0733-618 * Not a Service Part

Ref.	Part No.	Qty.	Description	Ref.	Part No.	Qty.	Description
1	5990-069	1	Seat Assembly (inc. 2-8)	10	8476-620	2	Screw, Cap
2	0506-054	1	● Cover, Seat	11	0406-235	1	Spring, Seat Latch
3	0506-056	1	● Foam, Seat	12	8050-217	2	Washer
4	0506-223	1	● Base, Seat - Assembly (inc. 5-7)	13	0406-199	2	Collar, Front Seat Base
5	*	1	●● Base, Seat	14	0406-171	2	Bumper, Seat Base - Front
6	8061-628	4	●● Rivet	15	0623-404	1	Cap, Protector
7	0506-147	1	●● Pin, Seat Base - Front	16	0406-103	1	Latch, Seat - Assembly
8	0624-100	AR	● Staple	17	8476-616	2	Screw, Machine
9	0406-309	2	Grommet, Seat - Center				

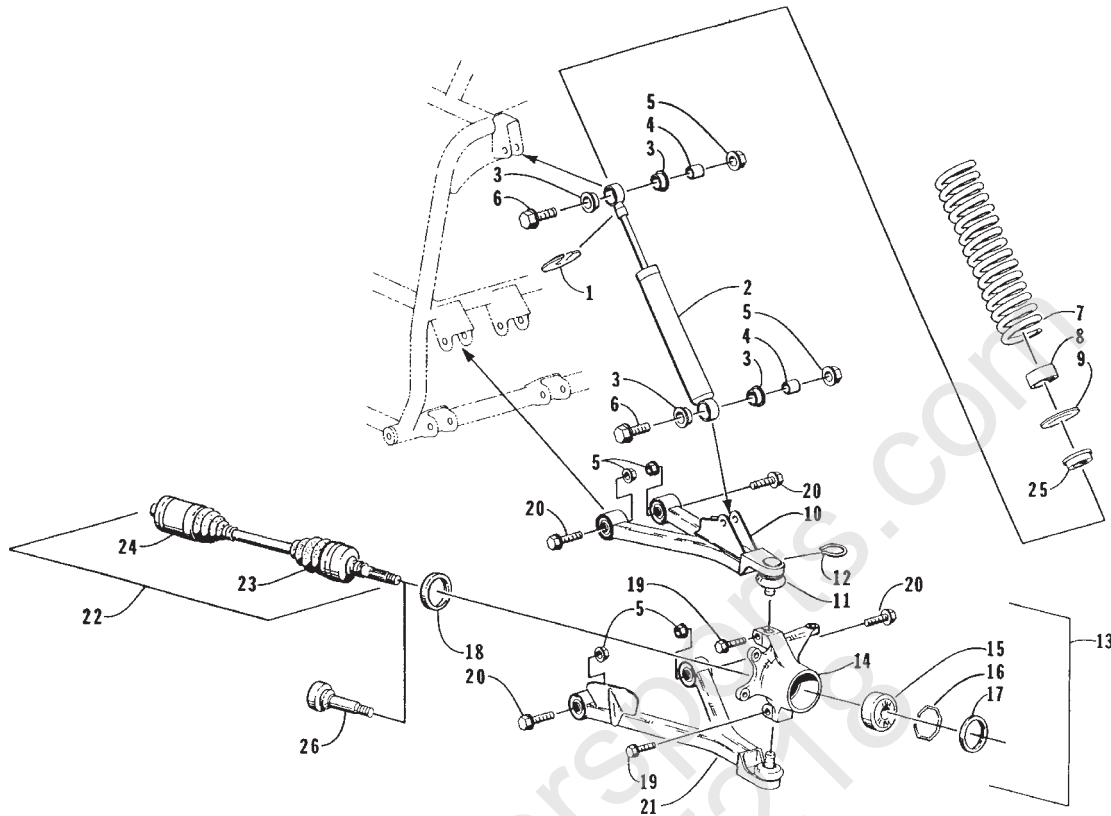
1999 250 2x4
1999 300 2x4 and 300 4x4



STEERING ASSEMBLY

0734-394

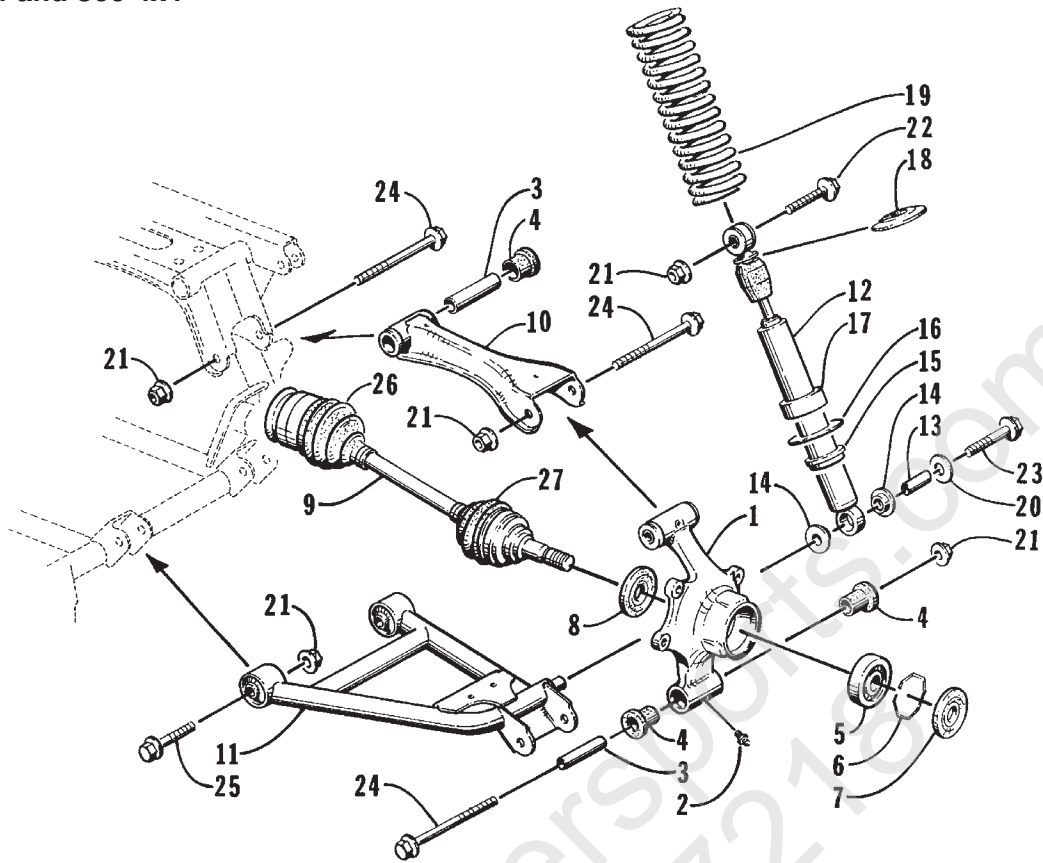
Ref. art No.	Qty.	Description	Ref. Part No.	Qty.	Description		
1	0487-013	1	Cable, Speedometer	19	0605-171	1	Housing, Bearing - Lower
2	8477-616	3	Screw, Machine	20	0405-020	2	Bearing, Steering Post
3	0420-003	1	Speedometer (inc. 36-41) (4x4)	21	0605-147	1	Housing, Bearing - Upper
4	0423-052	1	Collar, Body	22	0623-175	4	Pin, Cotter
5	3430-013	1	Switch, Ignition - Assembly (inc. 6) (2x4) (4x4) (300)	23	0505-012	1	Post, Steering
	3430-028	1	Switch, Ignition - Assembly (inc. 6) (2x4) (250)	24	8408-816	2	Screw, Cap
6	3409-007	1	• Key, Ignition - Blank (C Series) (2x4) (4x4) (300)	25	0602-233	1	Flange, Bearing
	3409-011	1	• Key, Ignition - Blank (D Series) (2x4) (4x4) (300)	26	0602-808	1	Bearing - w/Inverted Oil Seal
	3409-012	1	• Key, Ignition - Blank (E Series) (2x4) (250)	27	0423-073	1	Washer
	3409-013	1	• Key, Ignition - Blank (F Series) (2x4) (250)	28	8409-020	1	Screw, Cap
7	0420-011	1	Bezel/Lens, Warning - Assembly (inc. 10)	29	8422-022	4	Nut, Hex Castle
8	0420-012	1	Bezel/Lens, Shifting - Assembly (inc. 10)	30	0505-021	2	Tie Rod, Assembly (inc. 31-35)
9	0405-019	1	Pod, Instrument	31	8420-002	2	• Nut - Right
10	0420-013	AR	Bulb, Light Bar	32	0405-040	2	• Ball Joint, Tie Rod - Right
11	0420-001	1	Light, Warning - Assembly	33	0405-041	2	• Ball Joint, Tie Rod - Left
12	0420-004	1	Light, Shift Indicator - Assembly	34	0423-013	2	• Nut - Left
13	0123-950	4	Screw, Self-Tapping	35	0405-032	2	• Tie Rod
14	8408-860	6	Screw, Cap	36	0420-019	1	Bulb, Speedometer (4x4)
15	0405-035	4	Cap, Steering Adjuster	37	0420-014	1	Harness, Speedometer (4x4)
16	0506-139	1	Bracket, Key Switch	38	0420-018	1	Bracket, Speedometer (4x4)
17	0505-022	1	Tube, Handlebar	39	0420-016	2	Mount, Rubber (4x4)
18	0405-039	2	Grip, Handlebar	40	0420-017	2	Washer (4x4)
				41	0420-015	2	Pin, Retainer (4x4)
				42	0423-067	1	Tube, Loom
				43	0409-013	1	Cover, Key
				44	8060-428	2	Rivet
				45	0405-042	1	Plug, Instrument Pod (2x4)



FRONT SUSPENSION ASSEMBLY

0733-414

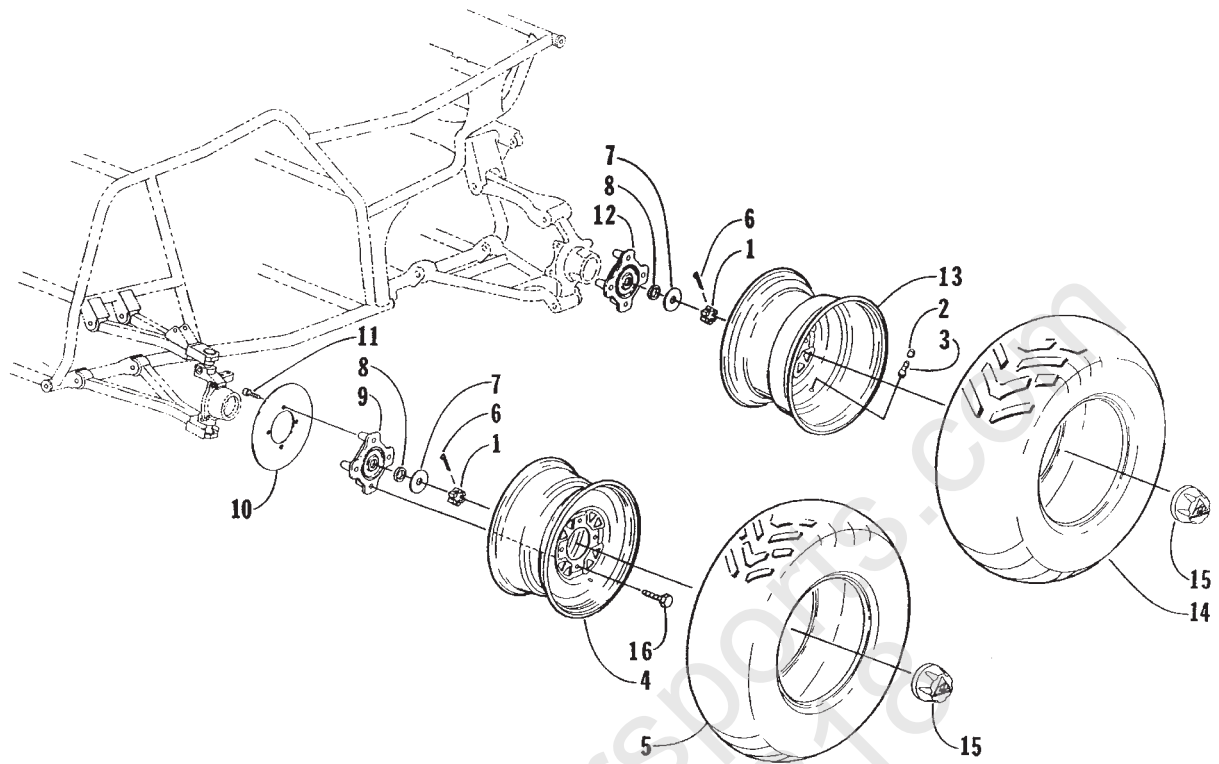
Ref.	Part No.	Qty.	Description	Ref.	Part No.	Qty.	Description
1	0603-033	2	Retainer, Spring	14	0505-024	1	• Knuckle, Steering - Right
2	0403-015	2	Shock Absorber - Front (inc. 3-4) (4x4)	15	0505-025	1	• Knuckle, Steering - Left
	0403-036	2	Shock Absorber - Front (inc. 3-4) (2x4)	16	0402-275	2	• Bearing, Wheel Hub - Front
3	0604-310	8	• Bushing, Shock Absorber	17	0423-034	2	• Clip, Bearing
4	0403-028	4	• Sleeve, Shock	18	0402-089	2	• Seal, Wheel Bearing - Front
5	8428-002	12	Nut, Lock	19	0402-069	2	• Seal, Wheel Bearing - Front
6	8409-040	4	Screw, Cap	20	8409-030	4	Screw, Cap
7	0403-022	2	Spring, Shock Absorber (4x4)	21	8409-060	8	Screw, Cap
	0403-037	2	Spring, Shock Absorber (2x4)	22	0503-044	1	A-Arm, Lower Right (inc. 11-12) (4x4)
8	0403-025	2	Collar, Spring		0503-045	1	A-Arm, Lower Left (inc. 11-12) (4x4)
9	0403-013	2	Washer, Spring		0503-036	1	A-Arm, Lower Right (inc. 11-12) (2x4)
10	0503-026	1	A-Arm, Upper Right - Assembly (inc. 11-12)		0503-037	1	A-Arm, Lower Left (inc. 11-12) (2x4)
	0503-027	1	A-Arm, Upper Left - Assembly (inc. 11-12)		0402-249	1	Axle, Drive - Front (4x4) (Short)
11	0405-001	4	• Ball Joint - Front		0402-179	1	Axle, Drive - Front (4x4) (Long)
12	0423-009	4	• Clip, Ball Joint	23	0436-114	2	Repair Kit, Outer Boot - Front Axle (4x4)
13	0505-026	1	Knuckle - Assembly - Right (inc. 14-18)	24	0436-113	2	Repair Kit, Inner Boot - Front Axle (4x4)
	0505-027	1	Knuckle - Assembly - Left (inc. 14-18)	25	0403-027	2	Retainer, Spring - Lower
				26	0402-183	2	Axle, Stub (2x4)



REAR SUSPENSION ASSEMBLY

0733-698

Ref. art No.	Qty.	Description	Ref. Part No.	Qty.	Description		
1	0504-032	2	Knuckle, Rear - Assembly (inc. 2)	14	0604-310	8	Bushing, Shock Absorber
2	0423-095	6	• Fitting, Grease	15	0403-027	2	Retainer, Spring - Lower
3	0403-038	6	Collar, Suspension Bushing	16	0403-013	2	Washer, Spring Adjust
4	0403-032	12	Bushing, Suspension	17	0403-025	2	Collar, Spring
5	0402-275	2	Bearing, Wheel	18	0603-033	2	Retainer, Spring
6	0423-034	2	Clip, Bearing	19	0403-002	2	Spring, Suspension
7	0402-089	2	Seal	20	0423-087	2	Washer
8	0402-069	2	Seal	21	8428-002	12	Nut, Lock
9	0402-171	2	Axle, Drive	22	8409-040	2	Screw, Cap
10	0504-029	2	Arm, Rear - Upper (inc. one No. 2)	23	8408-820	2	Screw, Cap
11	0504-030	1	A-Arm, Rear - Lower Right	24	8409-000	6	Screw, Cap
	0504-031	1	A-Arm, Rear - Lower Left	25	8409-060	4	Screw, Cap
12	0404-014	2	Shock Absorber - Rear	26	0436-113	2	Repair Kit, Inner Boot - Rear Axle
13	0403-028	4	Sleeve, Shock	27	0436-114	2	Repair Kit, Outer Boot - Rear Axle

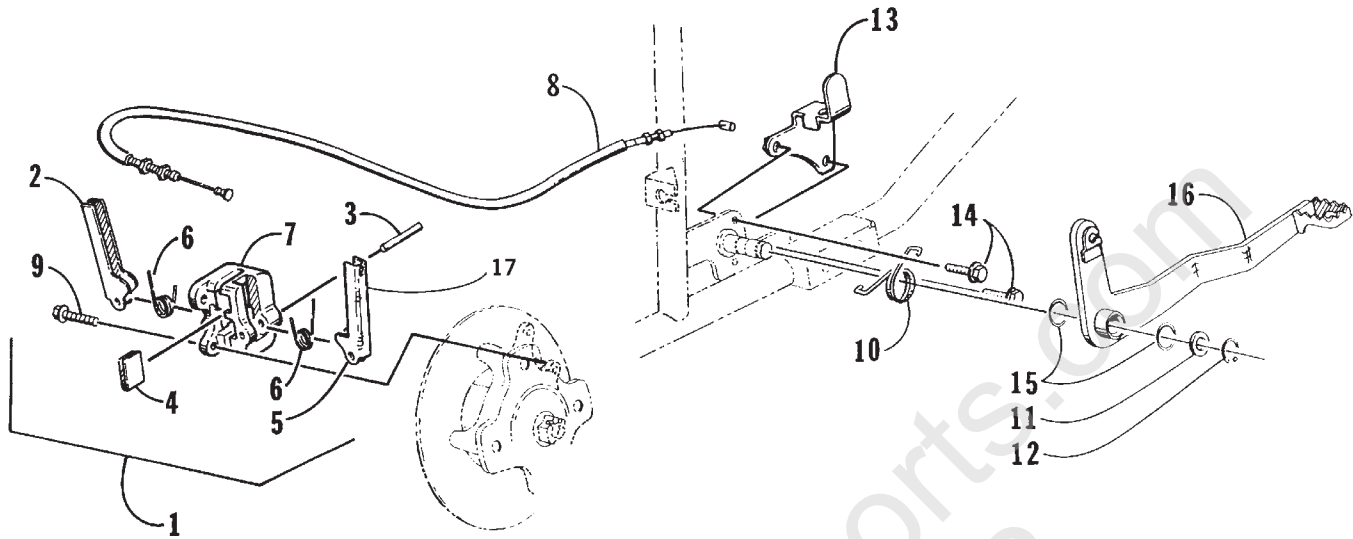


WHEEL AND TIRE ASSEMBLY

0733-661

Ref.	Part No.	Qty.	Description	Ref.	Part No.	Qty.	Description
1	3423-213	4	Nut, Hex	10	0402-009	3	Disc, Brake
2	0402-140	4	Cap, Valve Stem	11	0423-029	12	Screw, Machine
3	0402-064	4	Valve, Stem	12	0502-041	2	Hub, Wheel - Rear
4	0402-215	2	Wheel - Front (300)	13	0402-262	2	Wheel - Rear (4x4)
	0402-169	2	Wheel - Front (250)		0402-215	2	Wheel - Rear (2x4) (300)
5	0402-317	2	Tire - Front (4x4)		0402-169	2	Wheel - Rear (2x4) (250)
	0402-316	2	Tire - Front (2x4)	14	0402-319	2	Tire - Rear (300)
6	0123-458	4	Pin, Cotter		0402-317	2	Tire - Rear (250)
7	0423-080	4	Washer	15	0403-035	4	Cap, Wheel - Center
8	0402-181	4	Seal, Hub	16	8409-020	16	Screw, Cap
9	0502-041	2	Hub, Wheel - Front (4x4)				
	0502-040	2	Hub, Wheel - Front (2x4)				

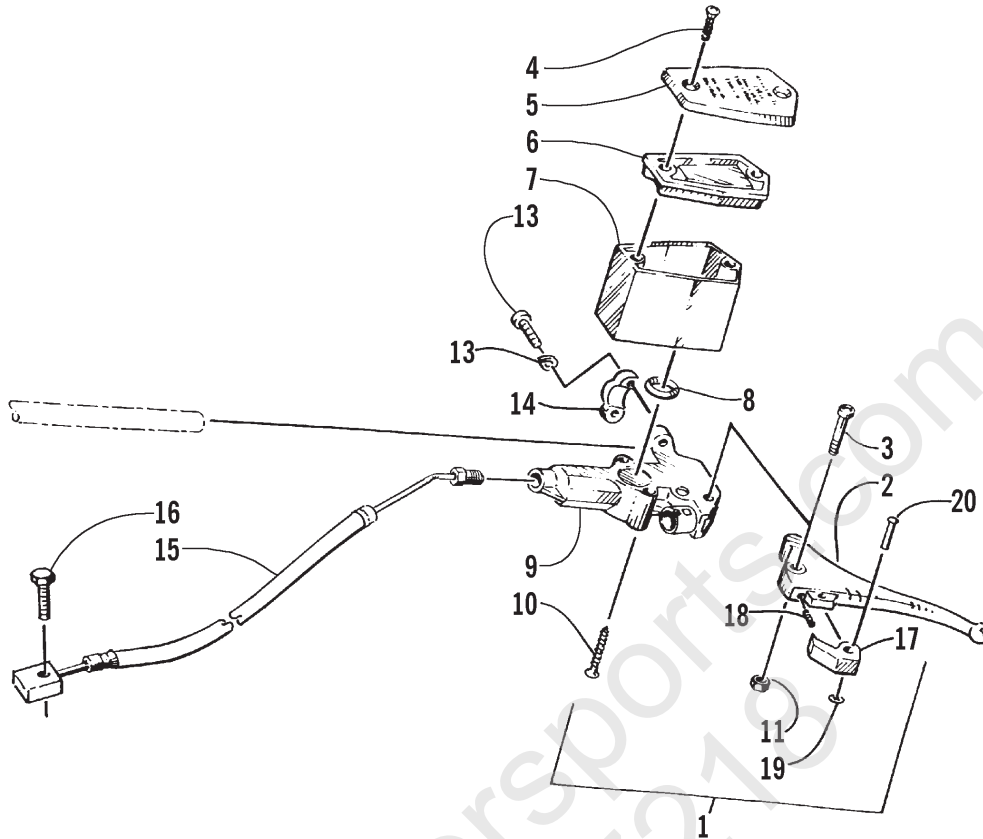
1999 250 2x4
 1999 300 2x4 and 300 4x4



MECHANICAL BRAKE ASSEMBLY

0733-691 *Not a Service Part

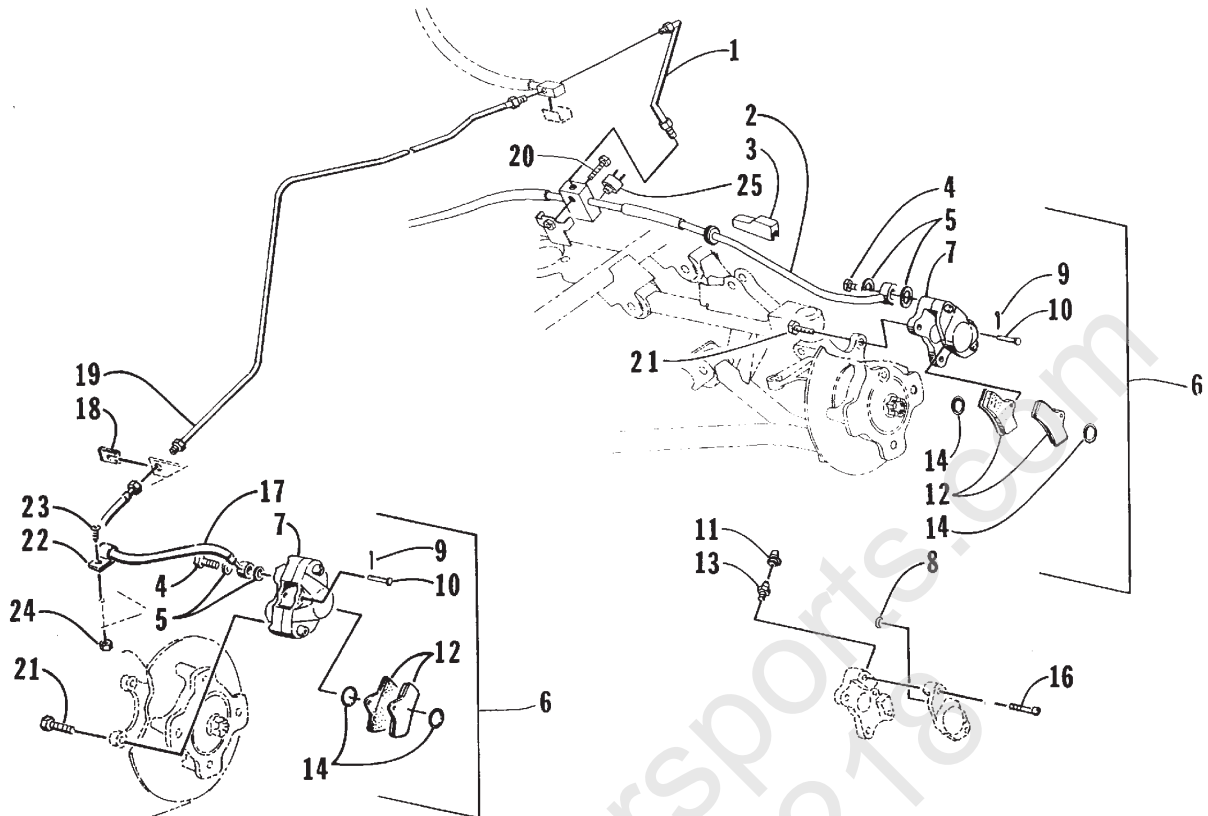
Ref. art No.	Qty.	Description	Ref. Part No.	Qty.	Description		
1	0502-115	1	Mechanical Brake - Assembly (inc. 2-7)	9	8408-825	2	Screw, Cap
2	*	1	• Arm, Inner	10	0402-161	1	Spring, Foot Brake
3	*	2	• Pin, Arm	11	0423-027	1	Washer, Brake Lever
4	0402-210	2	• Pad, Mechanical Brake	12	0623-237	1	Ring, Snap
5	*	1	• Arm, Outer	13	0502-056	1	Bracket, Brake Switch
6	*	2	• Spring, Arm	14	8476-616	2	Screw, Cap
7	*	1	• Housing, Mechanical Brake	15	0670-183	2	O-Ring
8	0487-010	1	Cable, Brake - Rear	16	0502-095	1	Lever, Foot Brake



HYDRAULIC BRAKE CONTROL ASSEMBLY

0733-434 * Not a Service Part

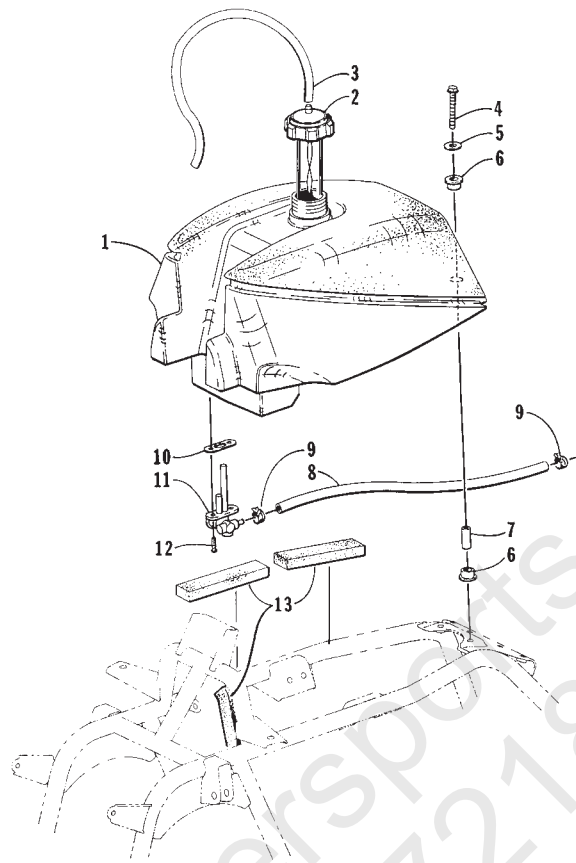
Ref.	Part No.	Qty.	Description	Ref.	Part No.	Qty.	Description
1	0502-061	1	Brake, Lever - Assembly (inc. 2-14 and 17-20)	11	0623-056	1	• Nut, Lock
2	0402-242	1	• Lever, Brake	12	8052-212	2	• Washer, Lock
3	0623-430	1	• Bolt, Lever Mounting	13	0623-629	2	• Screw, Clamp
4	0623-506	2	• Screw, Cover - Master Cylinder	14	0602-907	1	• Clamp
5	0602-742	1	• Cover, Master Cylinder	15	0402-050	1	Hose, Master Cylinder
6	0602-741	1	• Gasket, Cover - Master Cylinder	16	8476-625	1	Screw, Cap
7	0602-740	1	• Reservoir, Hydraulic Brake	17	0402-240	1	Wedge, Parking Brake
8	0602-587	1	• O-Ring, Reservoir	18	0402-245	1	Spring
9	*	1	• Master Cylinder	19	0423-090	1	Nut, Press
10	0623-432	2	• Screw, Reservoir Mount	20	0402-246	1	Pin



HYDRAULIC BRAKE ASSEMBLY

0733-624 * Not a Service Part

Ref. art No.	Qty.	Description	Ref. Part No.	Qty.	Description		
1	0402-053	1	Tube, Brake Line - Front	12	0402-096	6	• Pad, Hydraulic Brake
2	0402-051	1	Hose, Brake - Front	13	0402-167	3	• Valve, Bleeder
3	0402-073	2	Block, Mounting	14	0402-141	6	• O-Ring, Hydraulic Brake Caliper
4	0423-038	3	Bolt, Oil	15	0402-165	6	• Washer
5	0423-039	6	Washer, Crush	16	0402-166	6	• Screw, Socket Head
6	0402-010	1	Caliper, Brake - Right Front (inc. 7-13 and two No. 14-16)	17	0402-254	1	Hose, Brake - Rear
	0402-011	2	Caliper, Brake - Left Front and Rear (inc. 7-13 and two No. 14-16)	18	0402-115	1	Clip, Brake Line
7	*	3	• Housing, Caliper	19	0402-170	1	Tube, Brake Line - Rear
8	0402-164	3	• O-Ring	20	8476-625	1	Screw, Cap
9	0117-868	3	• Pin, Cotter	21	8408-825	6	Screw, Cap
10	0402-142	3	• Pin, Hydraulic Brake Caliper	22	0123-269	1	Clamp, Cable
11	0402-143	3	• Cap, Bleeder Valve	23	8476-612	1	Screw, Machine
				24	0624-250	1	Nut

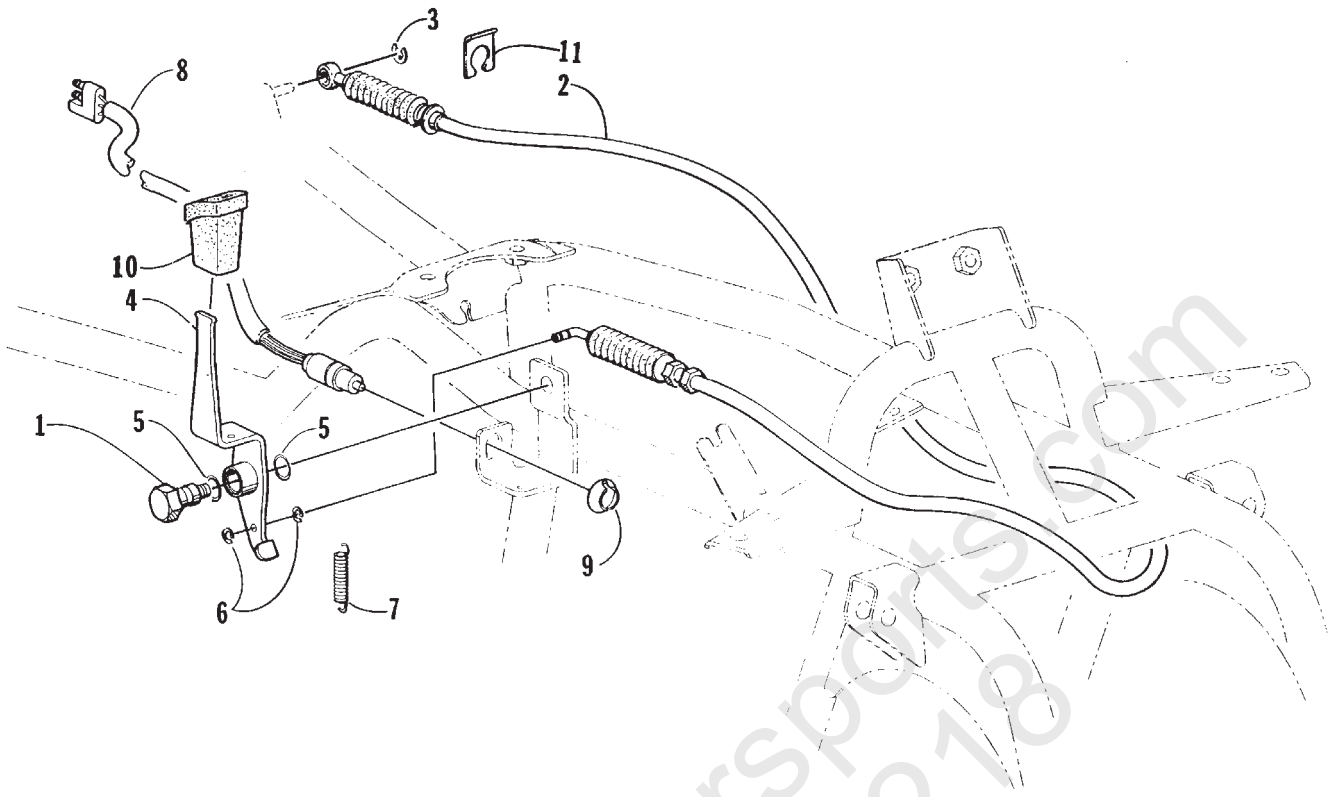


FUEL TANK ASSEMBLY

0733-834 * Not a Service Part

Ref.	Part No.	Qty.	Description	Ref.	Part No.	Qty.	Description
1	0570-014	1	Tank, Fuel (inc. 2-3 and 6-12) (300)	7	0406-170	2	Collar, Fuel Tank Mount
	<u>0570-028</u>	1	Tank, Fuel (inc. 2-3 and 6-12) (250)	8	0610-007	AR	Line, Fuel
2	0470-315	1	● Cap, Fuel Tank (inc. 3) (300)	9	0423-048	2	Clamp, Hose - Spring
	<u>0470-368</u>	1	● Cap, Fuel Tank (inc. 3) (250)	10	0470-364	1	Gasket, Fuel
3	0470-316	1	●● Line, Fuel Cap Vent	11	0470-365	1	Valve, Shut-Off (inc. 10)
4	8476-650	2	Screw, Cap	12	8471-616	2	Screw, Cap
5	0623-184	2	Washer	13	0417-001	7	Pad, Fuel Tank
6	0406-169	4	Bushing, Fuel Tank Mount				

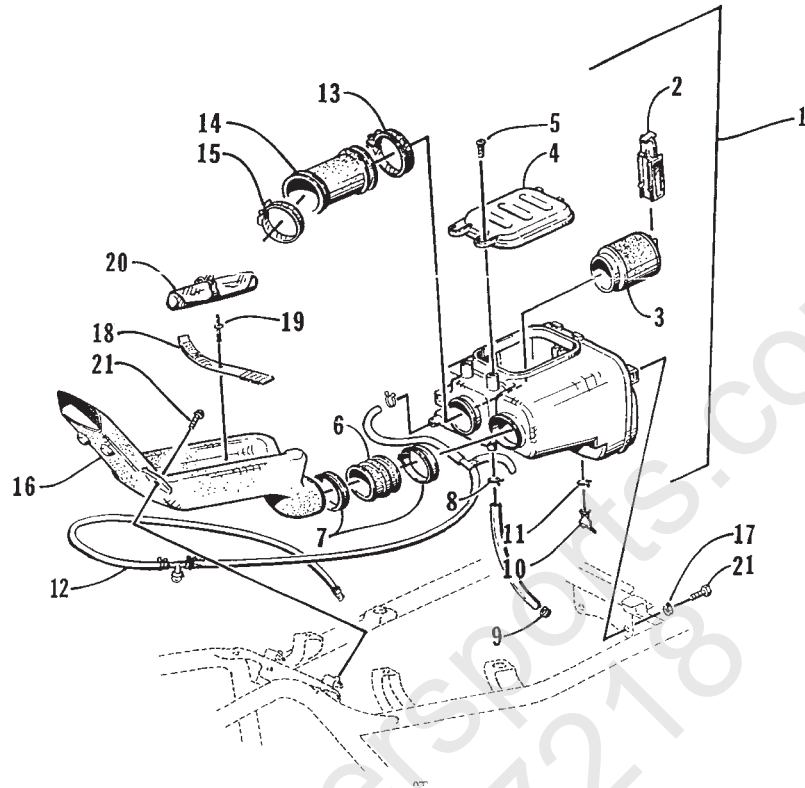
1999 250 2x4
 1999 300 2x4 and 300 4x4



REVERSE SHIFT LEVER ASSEMBLY

0733-716

Ref. art No.	Qty.	Description	Ref. Part No.	Qty.	Description		
1	0402-239	1	Axle, Reverse Shift	7	0402-136	1	Spring, Reverse Lever
2	0487-009	1	Cable, Shift	8	0409-008	1	Reverse Switch
3	3423-168	1	E-Ring	9	0402-168	1	Retainer, Switch
4	0502-059	1	Lever, Reverse	10	0402-062	1	Knob, Reverse Shift Lever
5	0423-096	2	O-Ring	11	3423-282	1	Clip, Cable
6	0423-063	2	E-Ring				

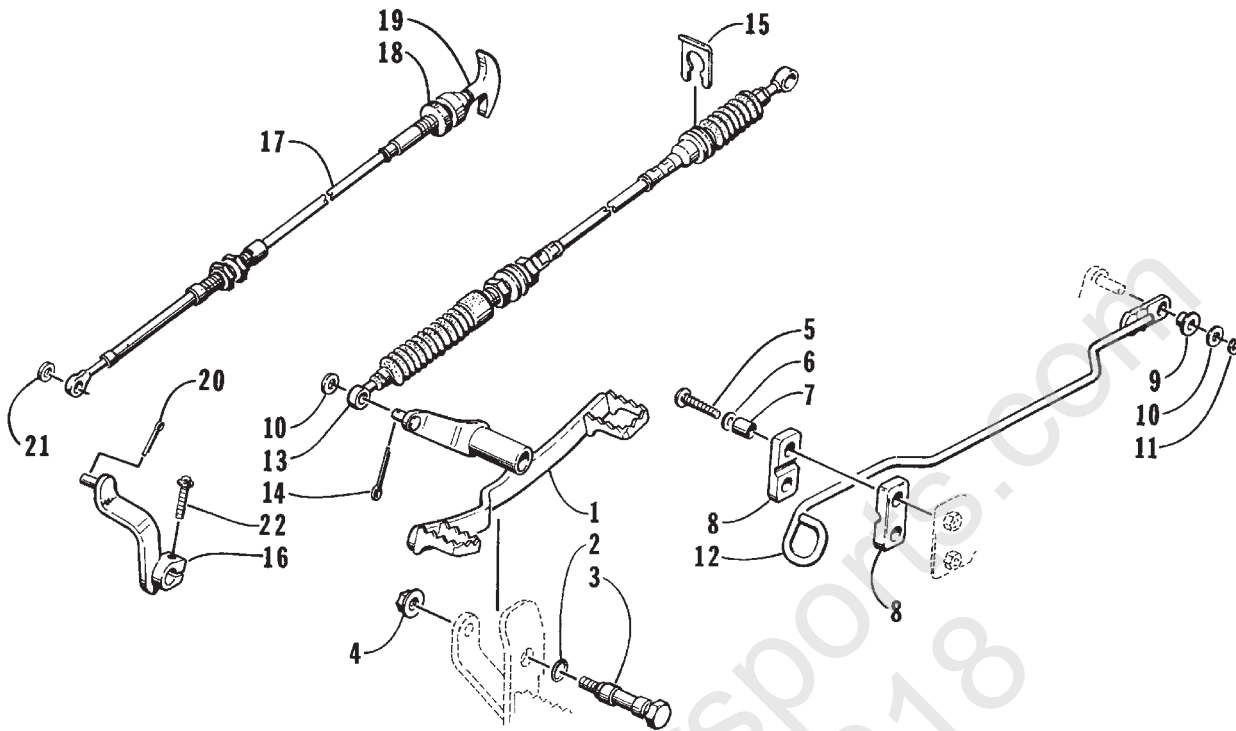


AIR INTAKE ASSEMBLY

0734-706

Ref.	Part No.	Qty.	Description	Ref.	Part No.	Qty.	Description
1	3570-001	1	Box, Air - Assembly (inc. 2 and 4-7)	11	0423-047	1	Clamp
2	3402-330	1	• Slider, Retainer - Filter	12	3470-004	1	Hose Assembly
3	0470-355	1	• Filter, Air Cleaner	13	0423-018	1	Clamp
	0470-356	1	• Sleeve, Filter	14	0470-347	1	Boot, Air Cleaner
4	3402-331	1	• Cap	15	0423-019	1	Clamp
5	8477-610	2	• Screw, Cap	16	0570-019	1	Snorkel, Air Intake
6	3423-329	1	• Joint	17	8053-212	3	Washer, Lock
7	3423-311	2	• Clamp	18	0406-379	1	Strap, Tool Kit
8	0423-071	1	Clamp	19	0423-046	1	Rivet, Plastic
9	0423-127	1	Plug, Drain	20	0444-072	1	Kit, Tool
10	0470-349	1	Air Cleaner	21	8476-616	5	Screw, Cap

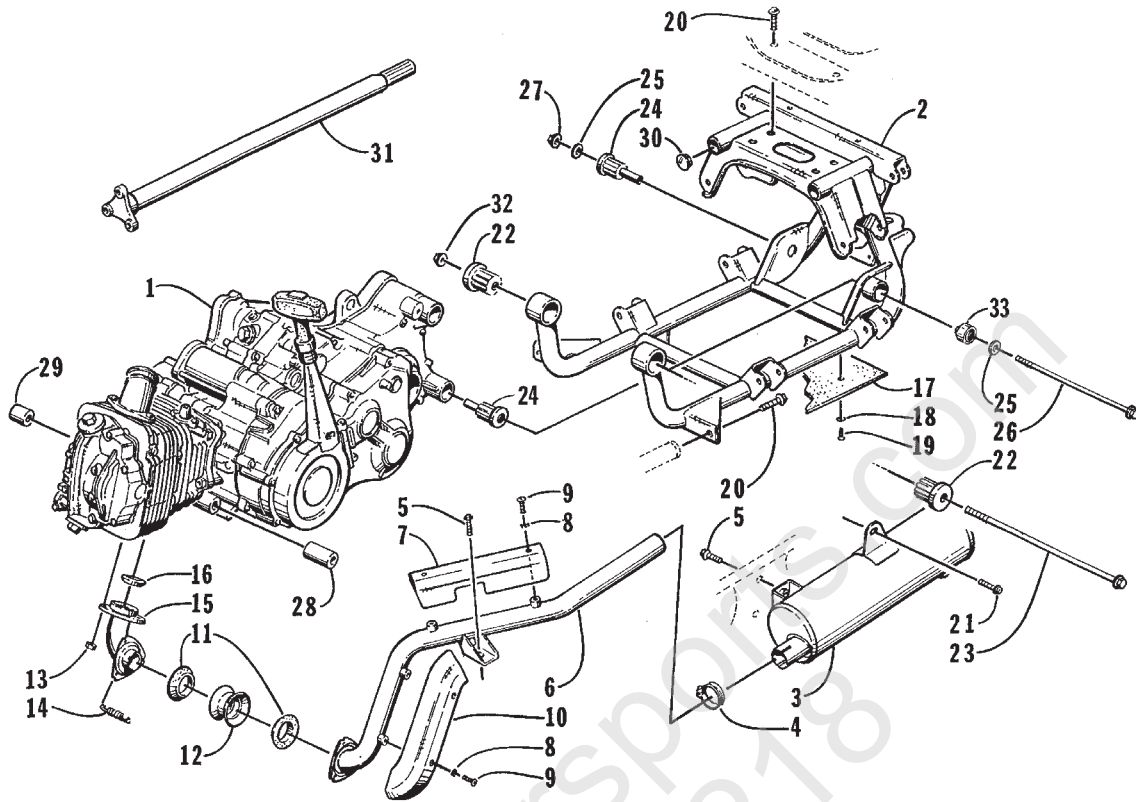
1999 250 2x4
 1999 300 2x4 and 300 4x4



SHIFTER ASSEMBLY

0733-736

Ref. art No.	Qty.	Description	Ref. Part No.	Qty.	Description		
1	0502-114	1	Lever, Footshift	12	0502-062	1	Linkage, Hi/Lo
2	0423-096	2	O-Ring	13	3487-001	1	Cable, Footshift
3	0402-370	1	Axle, Footshift	14	0623-175	1	Pin, Cotter
4	8424-802	1	Nut	15	3423-282	1	Clip, Cable
5	8476-630	2	Screw, Cap	16	0502-064	1	Arm, 2x4/4x4 - Shift (4x4)
6	8050-222	2	Washer	17	0487-012	1	Cable, 2x4/4x4 - Shift (4x4)
7	0402-256	2	Collar, Hi/Lo Shift	18	0423-099	1	Nut
8	0406-363	2	Bushing, Hi/Lo Shift	19	0487-014	1	Handle, Cable Shift
9	0423-091	1	Bushing, Shift	20	0117-868	1	Pin, Cotter
10	8050-242	2	Washer	21	0423-052	1	Collar, Body
11	3423-168	1	E-Ring, Gear Shift	22	8476-620	1	Screw, Cap (4x4)

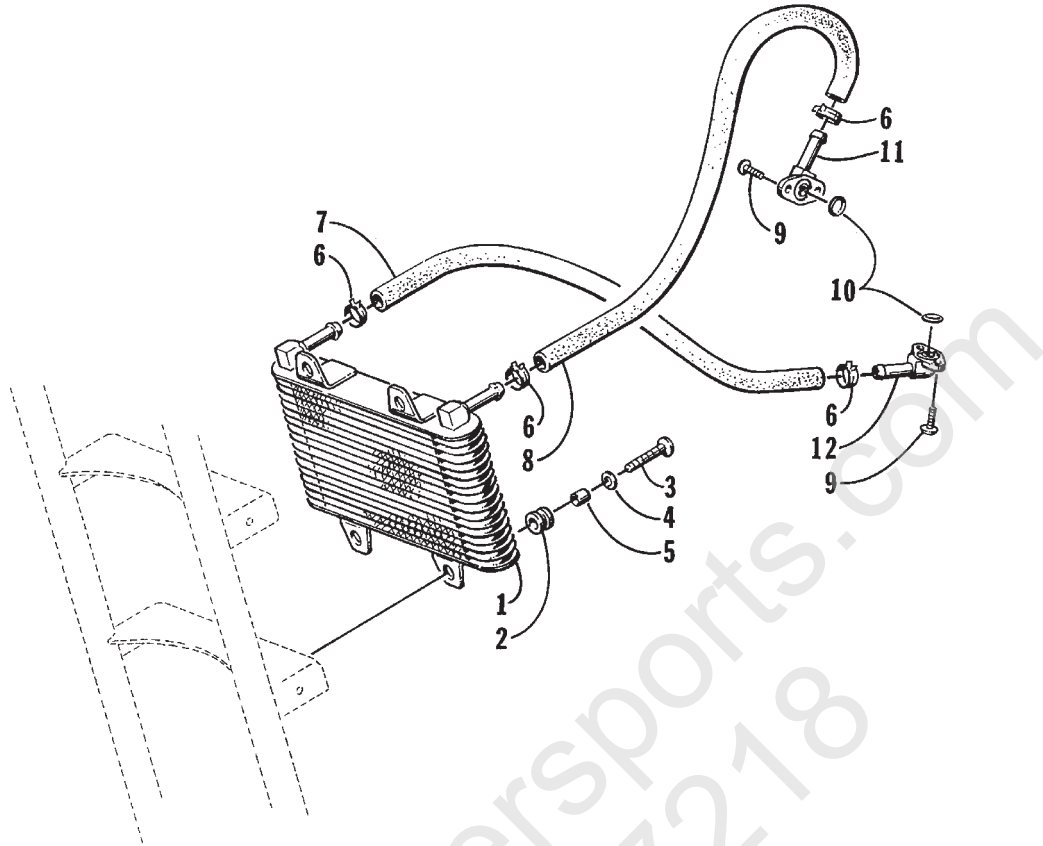


ENGINE AND RELATED PARTS

0734-784

Ref.	Part No.	Qty.	Description	Ref.	Part No.	Qty.	Description
1	0462-009	1	Engine (4x4)	16	3402-300	1	Seal, Exhaust Pipe
	0462-005	1	Engine (2x4) (300)	17	0406-344	1	Panel, Belly - Subframe
	0463-012	1	Engine (2x4) (250)	18	0423-010	8	Washer, Shoulder
2	0506-301	1	Frame, Sub (inc. 33)	19	8474-616	8	Screw, Cap
3	0436-182	1	Muffler (300)	20	8409-020	6	Screw, Cap
	0512-006	1	Muffler (250)	21	8408-816	1	Screw, Cap
4	0423-092	1	Clamp, Exhaust	22	3402-264	2	Mount, Motor
5	8408-812	2	Screw, Cap	23	3423-236	1	Screw, Cap
6	0512-004	1	Pipe, Exhaust	24	3402-263	4	Mount, Motor
7	0412-024	1	Cover, Exhaust - Rear	25	8050-272	4	Washer
8	8053-211	4	Washer, Lock	26	3423-235	2	Screw, Cap
9	8477-610	4	Screw, Cap	27	8422-002	2	Nut
10	0412-023	1	Cover, Exhaust	28	0402-231	1	Spacer, Engine Mount - Long
11	0612-887	2	Gasket, Exhaust	29	0402-232	1	Spacer, Engine Mount - Short
12	0412-031	1	Coupler, Exhaust	30	0406-320	2	Cap, Subframe
13	8424-802	2	Nut	31	0502-066	1	Driveshaft (4x4)
14	0123-321	3	Spring, Extension	32	8422-202	1	Nut, Motor Mount - Front
15	0512-008	1	Pipe, Header	33	3402-232	4	Bushing, Sub Frame - Engine Mount

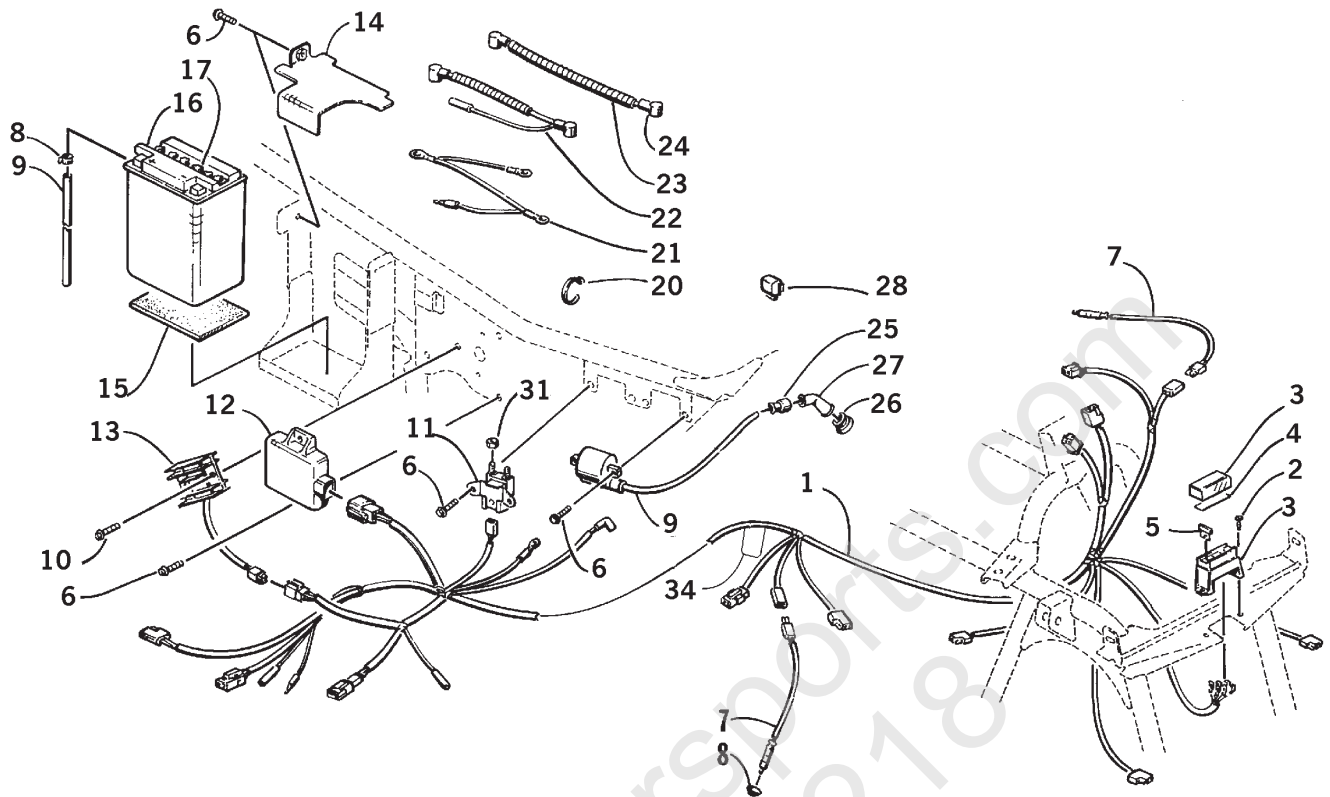
1999 250 2x4
 1999 300 2x4 and 300 4x4



OIL COOLER ASSEMBLY

0733-727

Ref. art No.	Qty.	Description	Ref. Part No.	Qty.	Description
1	1	Cooler, Oil	7	1	Hose, Oil - Output
2	4	Grommet	8	1	Hose, Oil - Input
3	4	Screw, Cap	9	4	Screw, Cap
4	4	Washer	10	2	O-Ring, Oil Fitting
5	4	Collar	11	1	Fitting, Oil - Angled
6	4	Clamp, Hose	12	1	Fitting, Oil

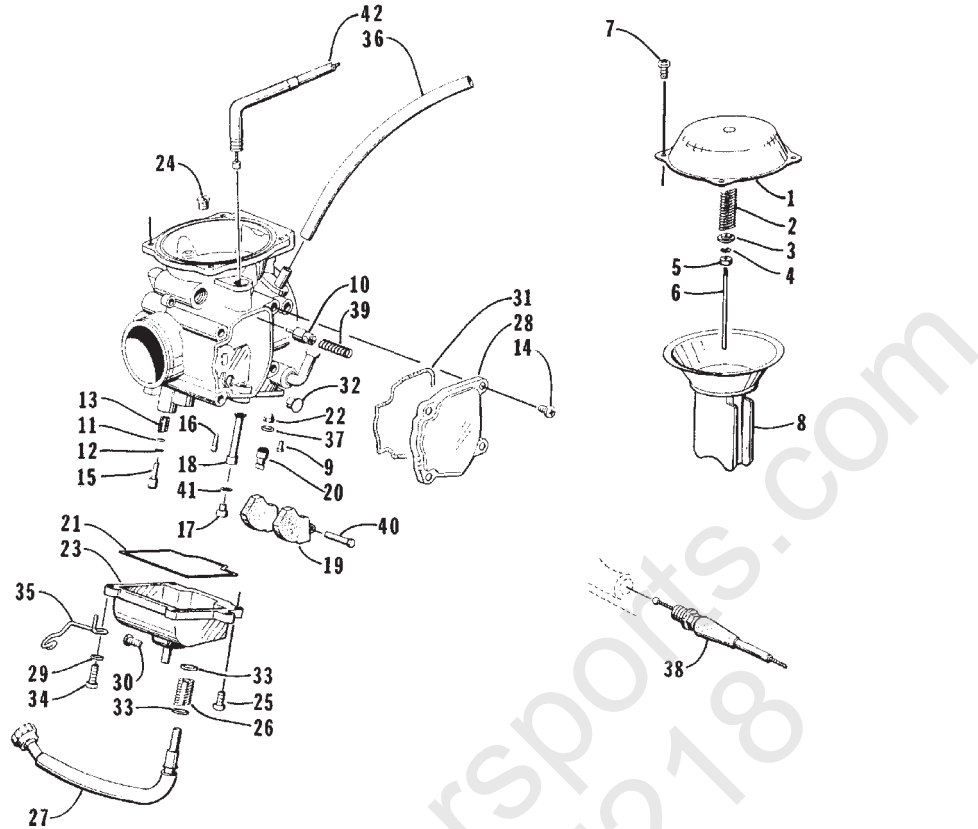


ELECTRICAL COMPONENTS

0733-740

Ref.	Part No.	Qty.	Description	Ref.	Part No.	Qty.	Description
1	0486-014	1	Harness, Main (300)	15	0406-380	1	Pad, Battery
	<u>0486-027</u>	1	Harness, Main (250)	16	0645-063	1	Battery (inc. 17-19)
2	0623-361	2	Screw, Self-Tapping	17	0645-045	6	• Cap, Battery
3	0530-003	1	Fuse Box Assembly	18	0645-152	1	• Clamp, Hose
4	0411-084	1	Decal, Fuse Box	19	0645-263	1	• Hose, Battery Vent
5	0630-057	3	Fuse, 10 AMP	20	0123-788	AR	Tie, Cable
6	8476-616	7	Screw, Cap	21	0445-010	1	Cable, Battery - Ground
7	0409-009	2	Switch, Brake	22	0445-011	1	Cable, Battery - Relay
8	0402-168	1	Retainer, Switch	23	0445-012	1	Cable, Battery - Starter
9	3530-012	1	Coil, Ignition (300)	24	0645-019	4	Bolt, Terminal - Battery
	<u>3530-025</u>	1	Coil, Ignition (250)	25	3430-009	1	Seal, High Tension Cord
10	8476-620	2	Screw, Cap	26	3430-026	1	Seal, Spark Plug
11	3530-013	1	Relay, Starter (300)	27	3430-007	1	Cap, Spark Plug
	3530-015	1	Relay, Starter (250)	28	3530-008	1	Relay, Neutral Start
12	3530-011	1	CDI Unit (300)	29	0486-012	1	Harness, Neutral Jumper
	<u>3530-024</u>	1	CDI Unit (250)	30	0486-013	1	Tube, Heat Spring
13	3530-014	1	Regulator, Voltage	31	0624-250	2	Nut, Starter Relay
14	0506-254	1	Bracket, Battery				

1999 250 2x4
 1999 300 2x4 and 300 4x4

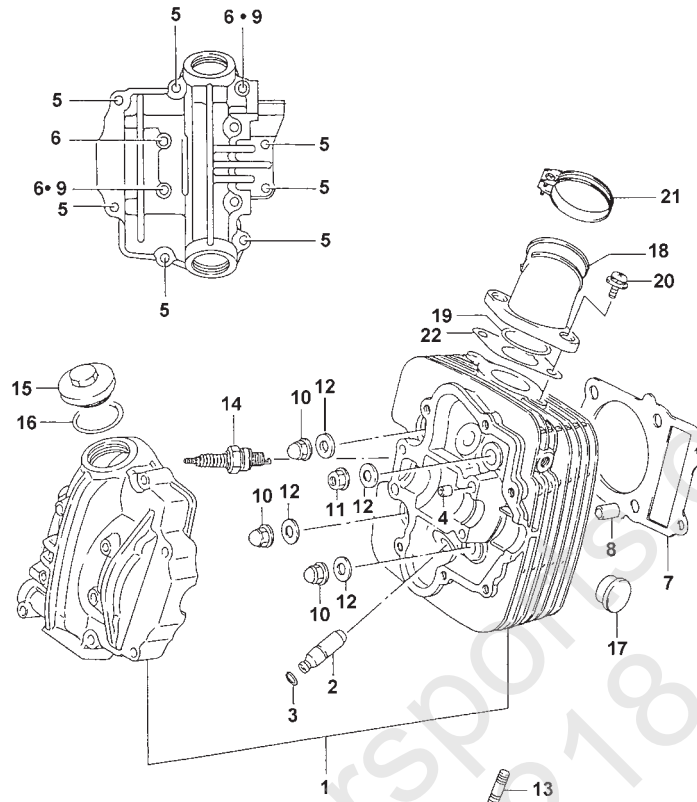


CARBURETOR

0733-773 *California Models Only

(Complete Assembly p/n 0470-348 300; p/n 0470-367 250)

Ref. art No.	Qty.	Description	Ref. Part No.	Qty.	Description
1	4505-069	1	4505-069	1	Cover Assembly
2	4505-002	1	4505-002	1	Spring
3	4505-003	1	4505-003	1	Ring
4	4505-004	1	4505-004	1	E-Ring
5	4505-005	1	4505-005	1	Ring
6	4505-084	1	4505-084	1	Jet Needle
7	4505-007	4	4505-007	4	Screw
8	4505-058	1	4505-058	1	Diaphragm
9	4505-009	1	4505-009	1	Screw
10	4505-067	1	4505-067	1	Plunger Assembly
11	4505-011	1	4505-011	1	O-Ring
12	4505-012	1	4505-012	1	Washer
13	4505-013	1	4505-013	1	Spring
14	4505-014	4	4505-014	4	Screw
15	4505-016	1	4505-016	1	Screw, Pilot
16	4505-059	1	4505-059	1	Jet, Pilot 45
17	4505-060	1	4505-060	1	Jet, Main 137.5 (300)
	4505-019	1	4505-019	1	Jet, Main 142.5* (300)
	4505-071	1	4505-071	1	Jet, Main 130.0 (250)
18	4505-057	1	4505-057	1	Needle Jet 4D28-3
19	4505-021	1	4505-021	1	Float Assembly
20	4505-022	1	4505-022	1	Seat, Valve 2.0 (With Needle)
21	4505-044	1	4505-044	1	O-Ring, Bowl
22	4505-045	1	4505-045	1	Filter
23	4505-023	1	4505-023	1	Chamber, Float
24	4505-024	1	4505-024	1	Jet, Pilot - Air
25	4505-025	3	4505-025	3	Screw
26	4505-026	1	4505-026	1	Spring
27	4505-062	1	4505-062	1	Cable Adjust - Assembly
28	4505-028	1	4505-028	1	Cover
29	4505-029	1	4505-029	1	Washer
30	4505-030	1	4505-030	1	Screw
31	4505-031	1	4505-031	1	O-Ring
32	4505-032	1	4505-032	1	Guide, Cable
33	4505-033	2	4505-033	2	Washer
34	4505-042	1	4505-042	1	Screw
35	4505-065	1	4505-065	1	Clip
36	4505-064	2	4505-064	2	Hose
37	6505-875	1	6505-875	1	O-Ring
38	0487-008	1	0487-008	1	Cable, Choke
39	4505-039	1	4505-039	1	Spring
40	4505-040	1	4505-040	1	Pin
41	6505-006	1	6505-006	1	Washer
42	0487-007	1	0487-007	1	Cable, Throttle

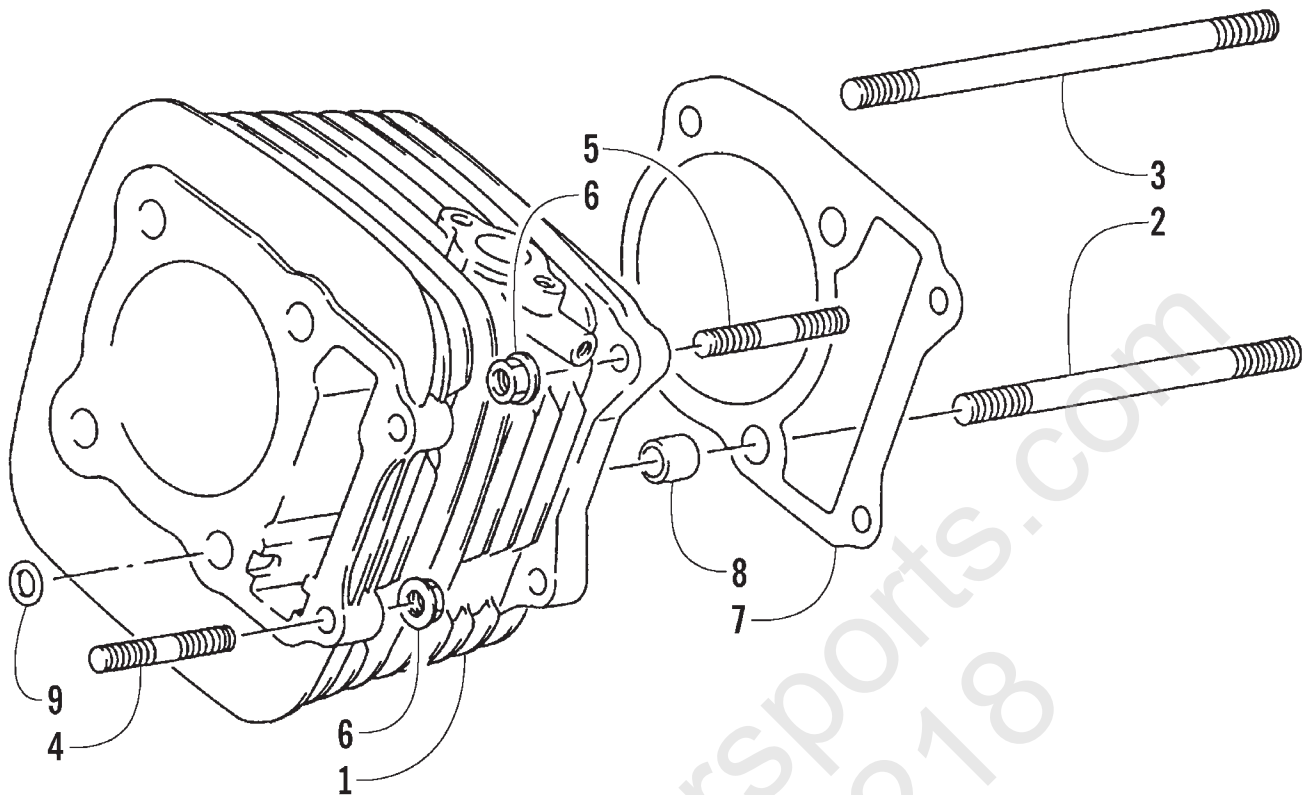


CYLINDER HEAD ASSEMBLY

0733-743

Ref.	Part No.	Qty.	Description	Ref.	Part No.	Qty.	Description
1	3402-246	1	Head, Cylinder - Assembly (inc. 2-6) (300)	11	3004-326	1	Nut
	<u>3402-407</u>	1	Head, Cylinder - Assembly (inc. 2-6) (250)	12	3005-243	4	Gasket
2	3402-247	2	• Guide, Valve	13	3003-032	2	Bolt, Stud
3	3423-068	2	• Ring, Valve Guide	14	0217-713	1	Spark Plug (NGK DR7EA)
4	3423-043	2	• Pin	15	3402-249	2	Cap, Inspection
5	3004-426	7	• Screw, Cap	16	3423-275	2	O-Ring
6	3423-304	3	• Screw, Cap	17	3402-213	1	Plug, Head
7	3402-248	1	Gasket, Cylinder Head (300)	18	3402-297	1	Pipe, Intake
	<u>3402-408</u>	1	Gasket, Cylinder Head (250)	19	3423-276	1	O-Ring
8	3004-822	2	Pin	20	3423-305	2	Screw, Cap
9	3003-290	2	Gasket	21	3402-086	1	Clamp
10	3423-257	3	Nut	22	3402-298	1	Gasket, Intake Pipe

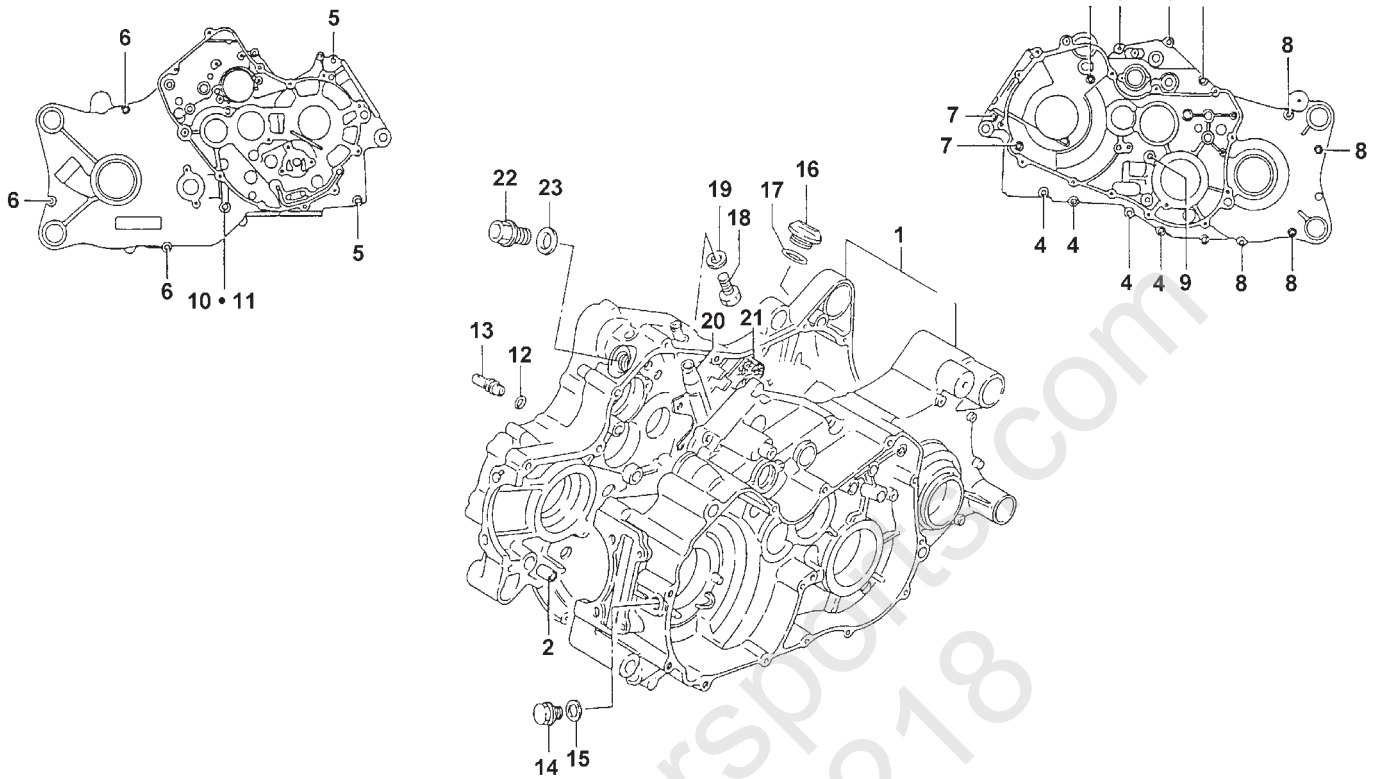
1999 250 2x4
 1999 300 2x4 and 300 4x4



CYLINDER ASSEMBLY

0733-744

Ref. art No.	Qty.	Description	Ref. Part No.	Qty.	Description		
1	3402-251	1	Cylinder (300)	5	3423-237	2	Bolt, Stud
	3402-409	1	Cylinder (250)	6	3004-488	4	Nut
2	3423-238	2	Bolt, Stud (300)	7	3402-252	1	Gasket, Cylinder (300)
	3423-365	2	Bolt, Stud (250)		3402-410	1	Gasket, Cylinder (250)
3	3423-239	2	Bolt, Stud (300)	8	3423-306	2	Pin
	3423-364	2	Bolt, Stud (250)	9	3005-226	1	O-Ring
4	3423-089	2	Bolt, Stud				

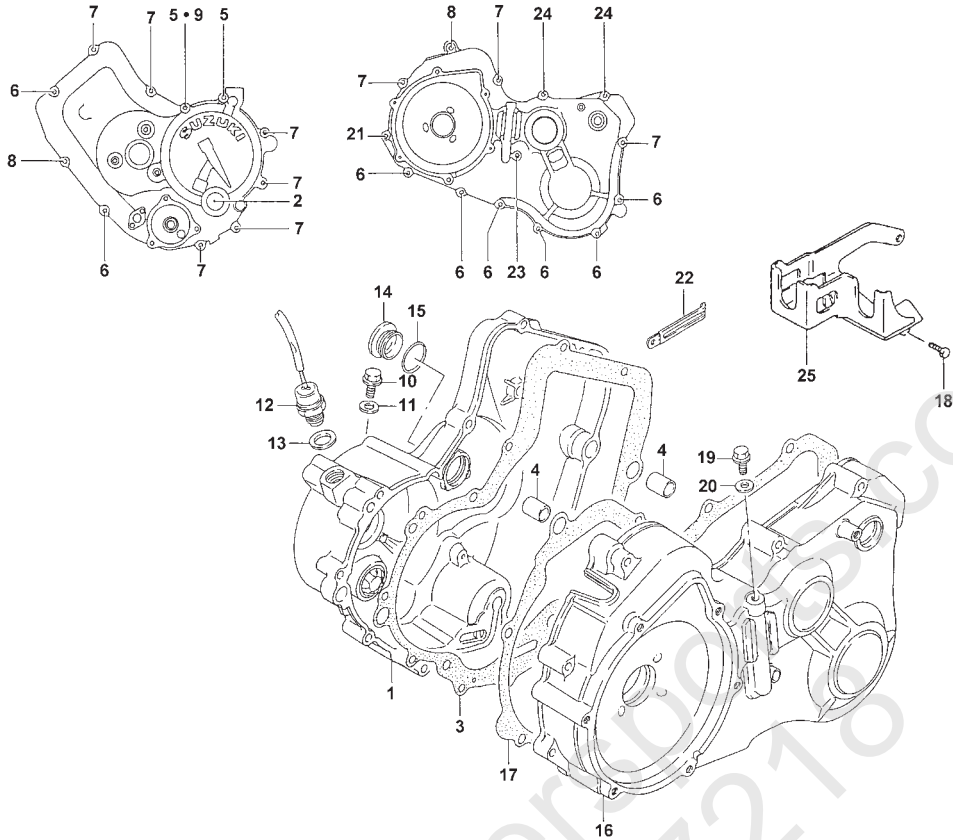


CRANKCASE ASSEMBLY

0733-745

Ref.	Part No.	Qty.	Description	Ref.	Part No.	Qty.	Description
1	3402-314	1	Crankcase Set (inc. 2-13) (4x4) (300)	13	3402-245	1	• Jet, Oil Gallery
	3402-253	1	Crankcase Set (inc. 2-13) (2x4) (300)	14	3402-214	1	Plug
	3402-411	1	Crankcase Set (inc. 2-13) (2x4) (250)	15	3402-012	1	Gasket
2	3423-088	2	• Pin	16	3402-212	1	Cap, Oil Filler
3	3423-162	2	• Screw, Cap	17	3423-274	1	O-Ring
4	3423-098	4	• Screw, Cap	18	3402-327	1	Plug, Oil Drain (300)
5	3423-091	2	• Screw, Cap		3402-404	1	Plug, Oil Drain (250)
6	3423-307	3	• Screw, Cap	19	3402-011	1	Gasket
7	3423-308	4	• Screw, Cap	20	3402-257	1	Pipe, Breather (300)
8	3423-094	4	• Screw, Cap		3402-413	1	Pipe, Breather (250)
9	3423-232	1	• Screw, Cap	21	3402-250	1	Separator, Oil Breather
10	3423-234	1	• Screw, Cap	22	3402-258	1	Plug, Reverse Switch Hole
11	3005-243	1	• Gasket	23	3423-271	1	O-Ring
12	3423-051	1	• O-Ring, Oil Gallery Jet				

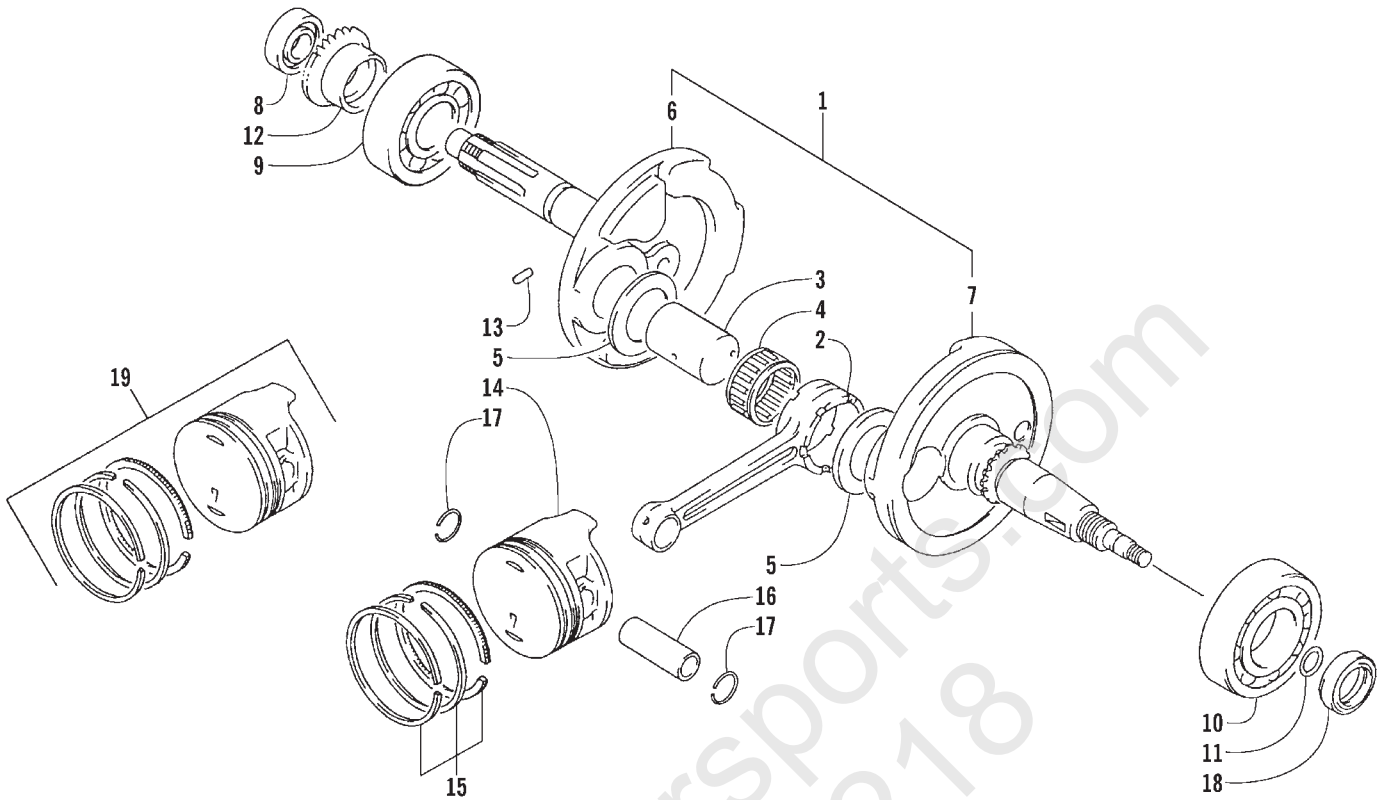
1999 250 2x4
1999 300 2x4 and 300 4x4



CRANKCASE COVER ASSEMBLY

0735-761 *Not Illustrated

Ref. art No.	Qty.	Description	Ref. Part No.	Qty.	Description
1	1	Cover, Clutch (inc. 2)	15	1	O-Ring
2	1	• Lens, Oil Inspection	16	1	Cover, Transfer
3	1	Gasket	17	1	Gasket, Transfer Cover
4	4	Pin	18	1	Screw, Cap
5	2	Screw, Cap	19	1	Plug, Oil Gallery
6	8	Screw, Cap	20	1	Gasket
7	3423-098	9	1	1	Screw, Cap
8	3423-307	2	2	2	Clamp, Breather Hose (300)
9	3003-290	1	2	2	Clamp, Breather Hose (250)
10	3004-705	2	23	1	Screw, Cap
11	3005-242	2	24	2	Screw, Cap
12	3430-019	1	25	1	Bracket, Shift Cable
13	3402-013	1	26	1	Plug, Oil Gallery (250)
14	3402-215	1	27	1	Cap, Oil Gallery (250)

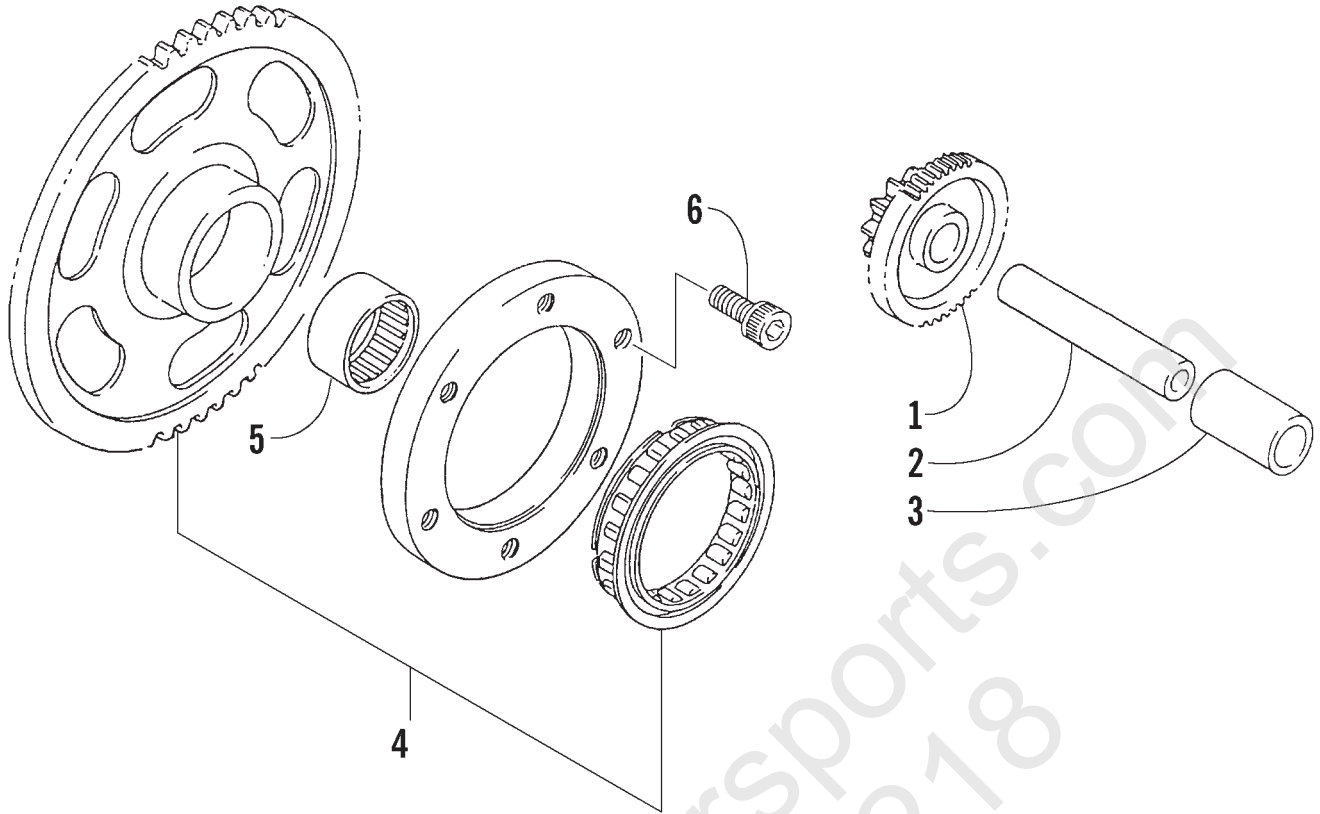


CRANKSHAFT ASSEMBLY

0733-747

Ref.	Part No.	Qty.	Description	Ref.	Part No.	Qty.	Description
1	3402-269	1	Crankshaft Assembly (inc. 2-7) (300)	13	3402-428	1	Gear, Oil Pump Drive (250)
	3402-419	1	Crankshaft Assembly (inc. 2-7) (250)	14	3423-114	1	Pin
2	3402-268	1	• Rod, Connecting (300)	14	3402-265	1	Piston (300)
	3402-418	1	• Rod, Connecting (250)		3402-415	1	Piston (250)
3	3402-270	1	• Pin, Crank (300)	15	3402-266	1	Ring Set, Piston (300)
	3402-422	1	• Pin, Crank (250)		3402-416	1	Ring Set, Piston (250)
4	3402-223	1	• Bearing (300)		3436-013	1	Ring Set, Piston (+0.5 mm) (250)
	3402-406	1	• Bearing (250)		3436-014	1	Ring Set, Piston (+1.0 mm) (250)
5	3005-241	2	• Washer		3436-011	1	Ring Set, Piston (+0.5 mm) (300)
6	3402-271	1	• Crankshaft - Right (300)		3436-012	1	Ring Set, Piston (+1.0 mm) (300)
	3402-420	1	• Crankshaft - Right (250)	16	3402-267	1	Pin, Piston (300)
7	3402-272	1	• Crankshaft - Left (300)		3402-417	1	Pin, Piston (250)
	3402-421	1	• Crankshaft - Left (250)	17	3423-280	2	Circlip (300)
8	3402-216	1	Bearing - Right		3423-366	2	Circlip (250)
9	3402-221	1	Bearing - Middle	18	3402-227	1	Seal, Oil
10	3402-055	1	Bearing - Left (300)	19	3402-306	1	Piston Set (+0.5 mm) (300)
	3402-180	1	Bearing - Left (250)		3402-307	1	Piston Set (+1.0 mm) (300)
11	3423-053	1	O-Ring		3402-423	1	Piston Set (+0.5 mm) (250)
12	3402-301	1	Gear, Oil Pump Drive (300)		3402-424	1	Piston Set (+1.0 mm) (250)

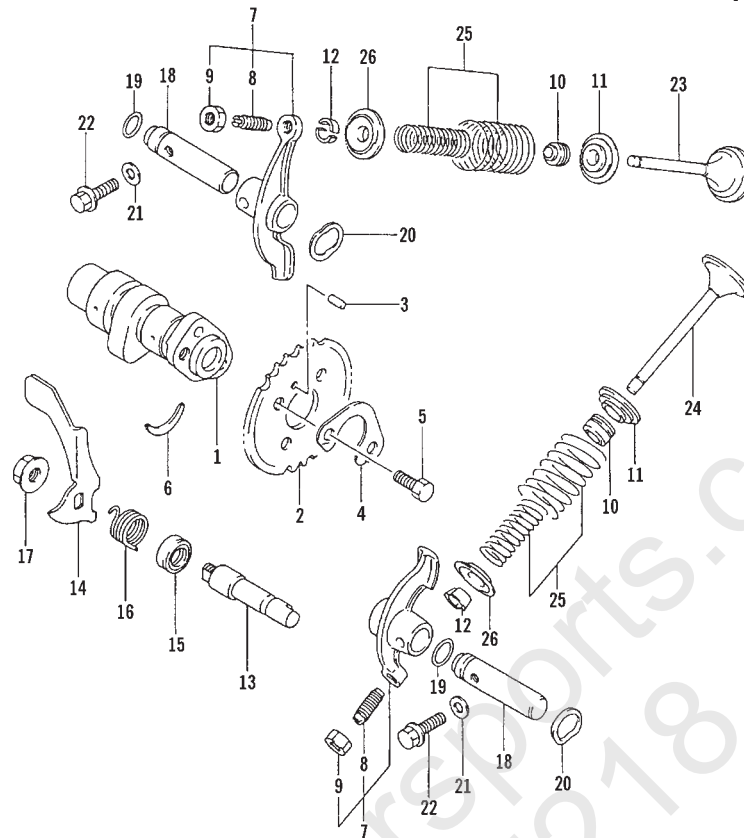
1999 250 2x4
 1999 300 2x4 and 300 4x4



STARTER CLUTCH ASSEMBLY

0733-748

Ref. art No.	Qty.	Description	Ref. Part No.	Qty.	Description		
1	3402-274	1	Gear, Starter Idler	4	3402-273	1	Clutch Set, Starter (inc. 5)
2	3423-267	1	Pin	5	3402-222	1	• Bearing
3	3402-145	1	Spacer	6	3423-309	3	Screw, Cap

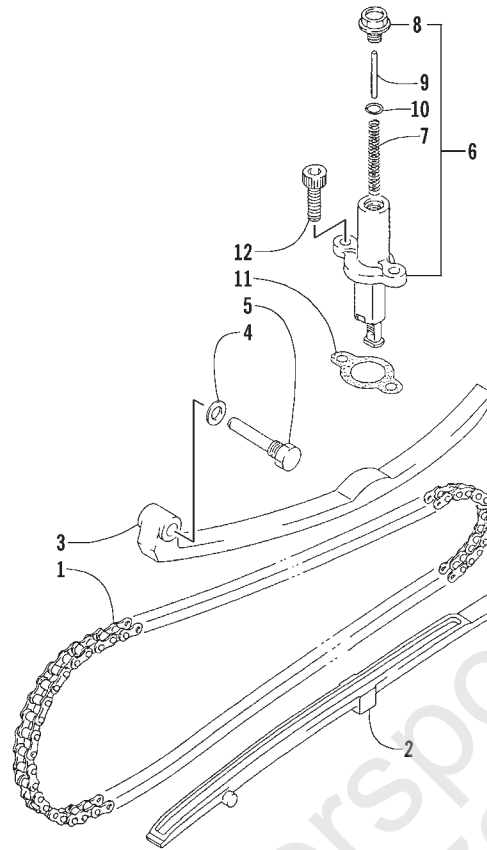


CAM SHAFT VALVE ASSEMBLY

0733-749

Ref.	Part No.	Qty.	Description	Ref.	Part No.	Qty.	Description
1	3402-275	1	Cam Shaft (300)	14	3402-296	1	Lever, Decompression
	<u>3402-397</u>	1	Cam Shaft (250)	15	3402-225	1	Seal, Oil
2	3402-326	1	Sprocket (300)	16	3402-242	1	Spring
	<u>3402-427</u>	1	Sprocket (250)	17	3004-326	1	Nut
3	3423-047	1	Pin	18	3402-289	2	Shaft, Rocker Arm
4	3423-284	1	Washer	19	3423-052	2	O-Ring
5	3423-013	2	Screw, Cap	20	3423-259	2	Washer
6	3423-071	1	C-Ring	21	3003-290	2	Gasket
7	3402-288	2	Arm, Valve Rocker (inc. 8-9)	22	3004-376	2	Screw, Cap
8	3423-287	2	• Screw, Cap	23	3402-290	1	Valve, Intake
9	3423-288	2	• Nut	24	3402-291	1	Valve, Exhaust
10	3402-226	2	Seal, Oil	25	3402-292	2	Spring Set, Valve (300)
11	3402-294	2	Seat, Spring (300)		<u>3402-401</u>	2	Spring Set, Valve (250)
	<u>3402-403</u>	2	Seat, Spring (250)	26	3402-293	2	Retainer, Spring (300)
12	0693-281	4	Cotter, Valve		<u>3402-402</u>	2	Retainer, Spring (250)
13	3402-295	1	Shaft, Decompression				

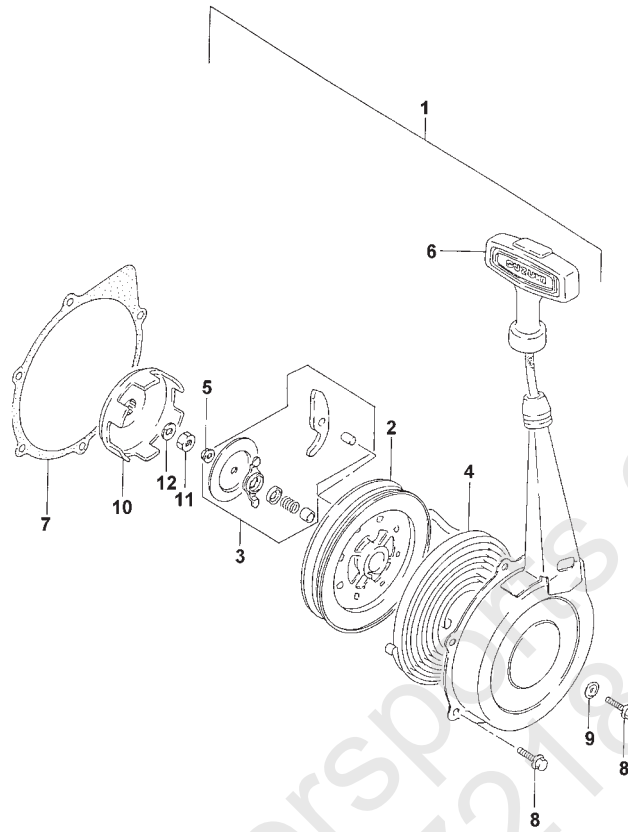
1999 250 2x4
 1999 300 2x4 and 300 4x4



CAM CHAIN ASSEMBLY

0733-750

Ref. art No.	Qty.	Description	Ref. Part No.	Qty.	Description
1	3402-281	1 Chain, Cam (300)	6	3402-283	1 Adjuster, Tensioner - Assembly (inc. 7-10)
	3402-398	1 Chain, Cam (250)	7	3402-284	1 • Spring
2	3402-277	1 Guide, Cam Chain (300)	8	3402-285	1 • Plug
	3402-399	1 Guide, Cam Chain (250)	9	3402-286	1 • Bar
3	3402-282	1 Tensioner, Cam Chain (300)	10	3423-286	1 • O-Ring
	3402-400	1 Tensioner, Cam Chain (250)	11	3402-287	1 Gasket, Adjuster
4	3423-074	1 Screw, Cap	12	3004-576	2 Screw, Cap
5	3003-188	1 Washer			

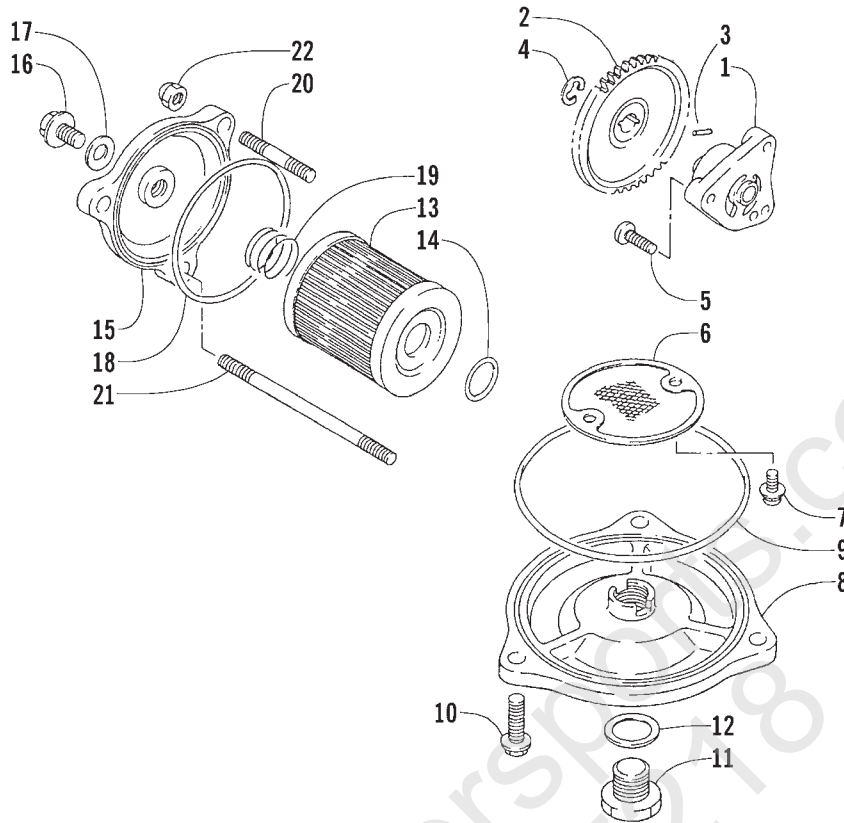


RECOIL STARTER ASSEMBLY

0733-751

Ref.	Part No.	Qty.	Description	Ref.	Part No.	Qty.	Description
1	3445-018	1	Starter, Recoil - Assembly (inc. 2-6)	7	3445-021	1	Gasket, Recoil
2	3445-019	1	• Reel	8	3423-112	6	Screw, Cap
3	3445-016	1	• Ratchet Assembly	9	3003-290	1	Gasket
4	3445-007	1	• Spring, Spiral	10	3445-022	1	Cup, Starter
5	3004-488	1	• Nut	11	3004-336	1	Nut
6	3445-020	1	• Rope Assembly	12	3004-362	1	Washer, Lock

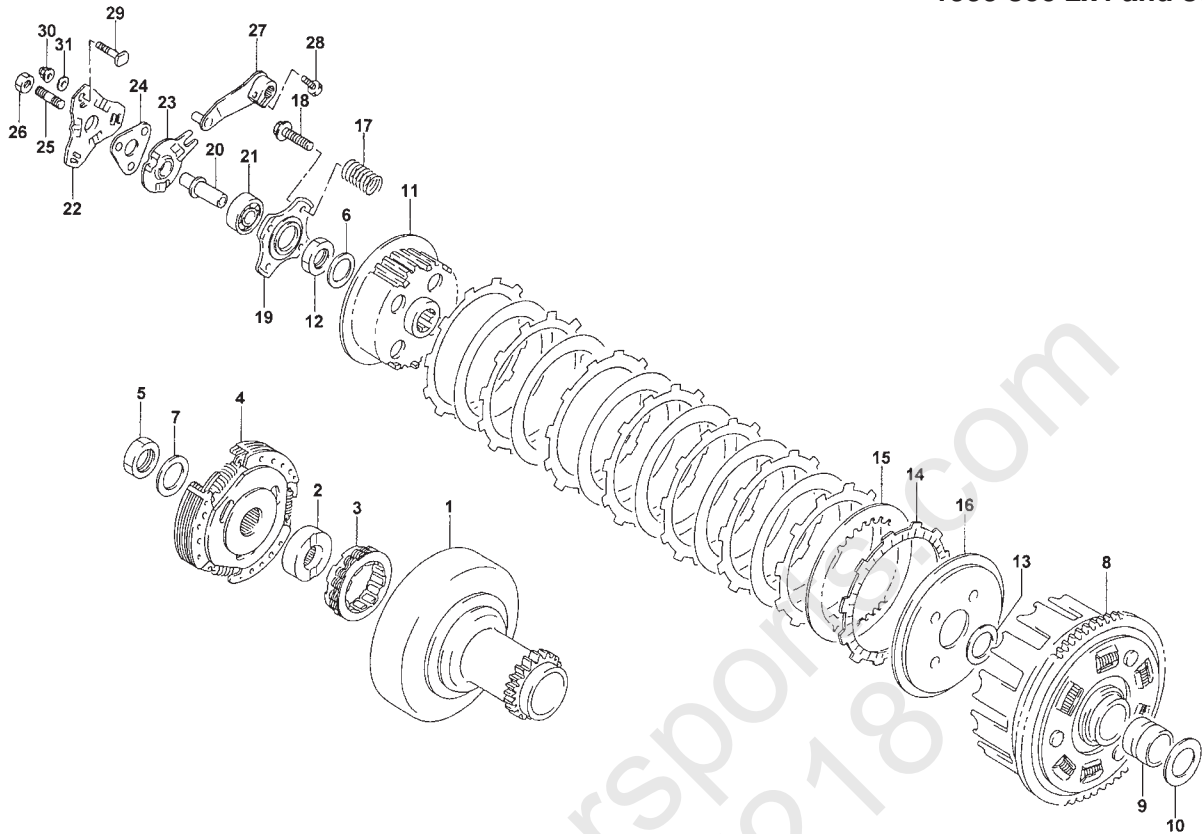
1999 250 2x4
1999 300 2x4 and 300 4x4



OIL PUMP ASSEMBLY

0733-752

Ref. art No.	Qty.	Description	Ref. Part No.	Qty.	Description		
1	3445-017	1	Pump, Engine Oil	12	3402-012	1	Gasket
2	3402-302	1	Gear, Driven	13	3436-005	1	Filter, Engine Oil
3	3423-285	1	Pin	14	3423-270	1	O-Ring
4	3423-168	1	Circlip	15	3402-303	1	Cap, Oil Filter
5	3004-402	3	Screw, Cap	16	3004-705	1	Plug, Oil Check
6	3402-304	1	Strainer, Engine Oil	17	3005-242	1	Gasket
7	0693-389	2	Screw, Cap	18	3423-277	1	O-Ring
8	3402-305	1	Cap, Oil Strainer	19	3402-238	1	Spring
9	3423-278	1	O-Ring	20	3423-314	2	Bolt, Stud
10	3004-507	3	Screw, Cap	21	3004-543	1	Bolt, Stud
11	3402-036	1	Plug, Drain (300)	22	3423-315	3	Nut
	3402-037	1	Plug, Drain (250)				

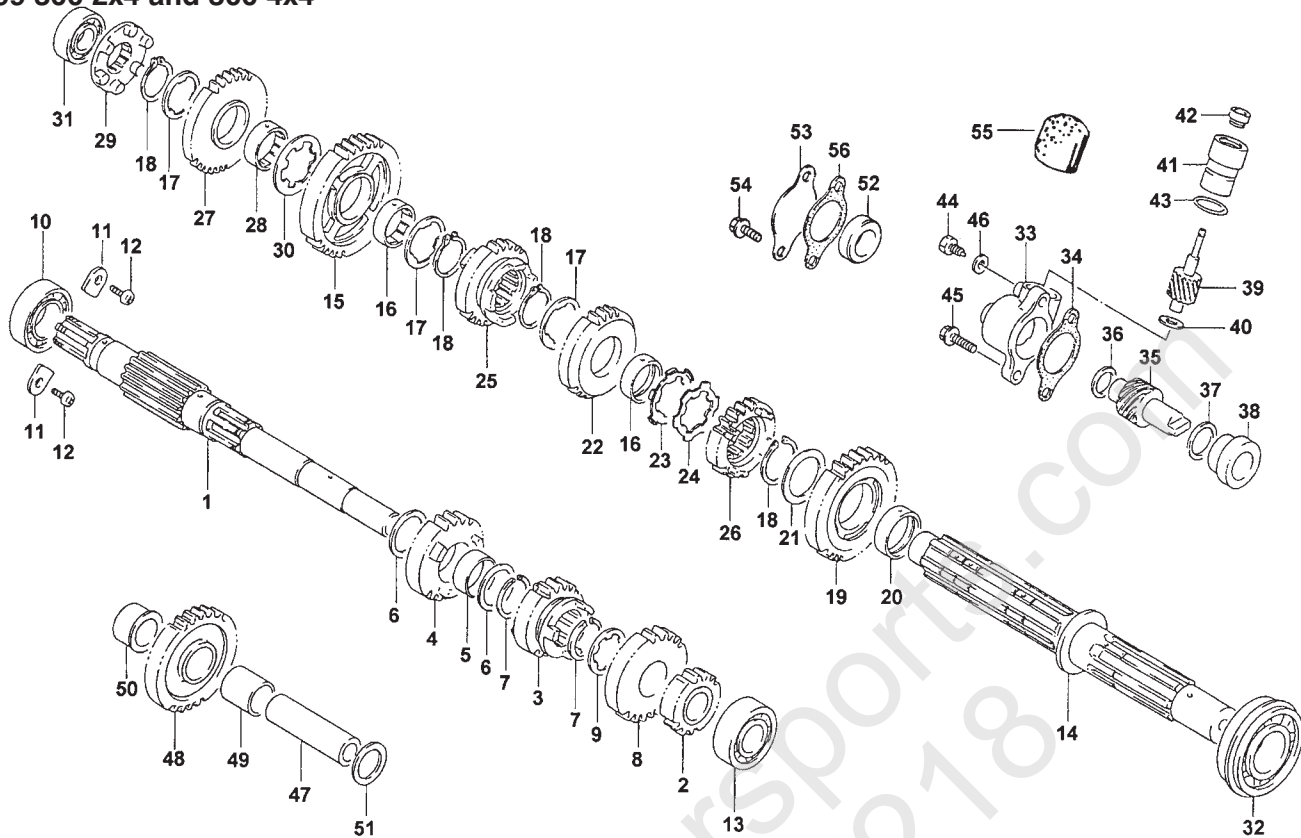


CLUTCH ASSEMBLY

0733-753

Ref.	Part No.	Qty.	Description	Ref.	Part No.	Qty.	Description
1	3446-120	1	Gear, Primary Drive (300)	15	3446-125	7	Plate, Driven
	3446-253	1	Gear, Primary Drive (250)	16	3446-126	1	Disc, Pressure (300)
2	3446-129	1	Race, Inner	3446-256	1	Disc, Pressure (250)	
3	3446-122	1	Clutch, One Way	17	3402-239	4	Spring
4	3446-128	1	Clutch Assembly (300)	18	3004-341	4	Screw, Cap
	3446-257	1	Clutch Assembly (250)	19	3446-127	1	Plate, Release
5	3423-253	1	Nut	20	3446-130	1	Piece, Push
6	3423-032	1	Washer, Lock	21	3402-043	1	Bearing
7	3423-260	1	Washer, Lock	22	3446-133	1	Guide, Ball - Outer
8	3446-121	1	Gear, Primary - Assembly (300)	23	3446-131	1	Guide, Ball - Inner
	3446-254	1	Gear, Primary - Assembly (250)	24	3446-134	1	Ball, Release
9	3402-206	1	Spacer	25	3423-248	1	Screw, Adjuster
10	3402-211	1	Washer	26	3423-022	1	Nut, Adjuster
11	3446-123	1	Hub, Clutch (300)	27	3446-132	1	Arm, Release
	3446-255	1	Hub, Clutch (250)	28	3423-125	1	Screw, Cap
12	3423-254	1	Nut	29	3423-245	3	Screw, Cap
13	3423-316	1	Washer	30	0693-316	3	Nut
14	3446-124	8	Plate, Drive	31	3003-290	3	Seal, Cap Screw

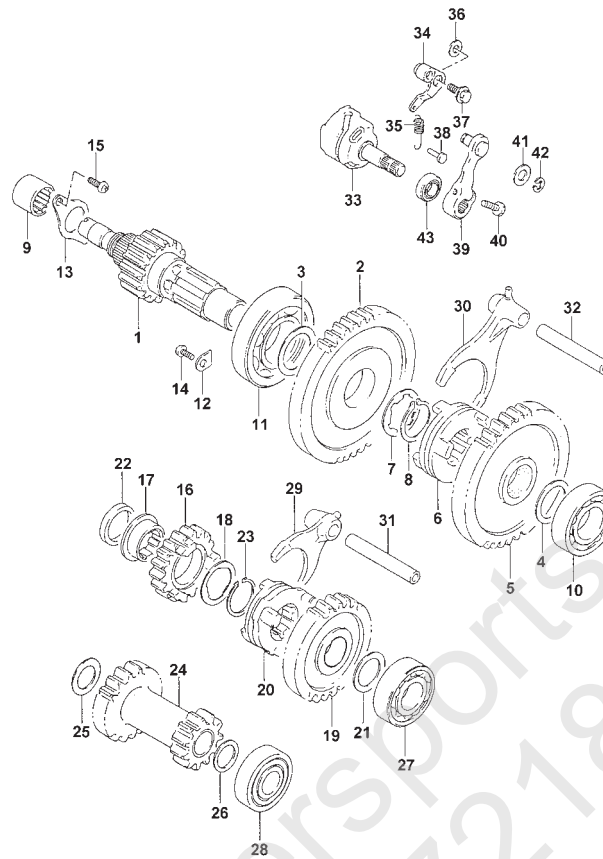
1999 250 2x4
1999 300 2x4 and 300 4x4



TRANSMISSION ASSEMBLY

0733-754

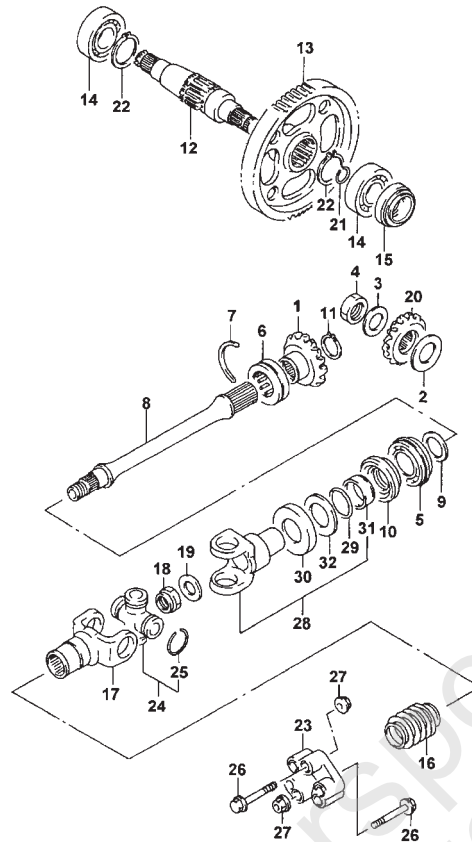
Ref.	art No.	Qty.	Description	Ref.	Part No.	Qty.	Description
1	3446-135	1	Shaft, Counter	31	3402-218	1	Bearing - Right
2	3446-137	1	Gear, 2nd Drive	32	3402-220	1	Bearing - Middle
3	3446-138	1	Gear, 3rd Drive	33	3446-057	1	Housing, Odometer Gear (4x4)
4	3446-139	1	Gear, 4th Drive	34	3446-059	1	Gasket (4x4)
5	3402-229	1	Bushing	35	3446-228	1	Gear, Odometer Drive (4x4)
6	3402-210	2	Washer	36	3423-336	1	Washer - Right (4x4)
7	3423-279	2	Circlip	37	3423-337	1	Washer - Left (4x4)
8	3446-140	1	Gear, 5th Drive	38	3446-114	1	Spacer (4x4)
9	3423-261	1	Washer	39	3446-229	1	Gear, Odometer Driven (4x4)
10	0691-374	1	Bearing - Right	40	3423-144	1	Washer (4x4)
11	3446-031	2	Retainer	41	3446-058	1	Sleeve (4x4)
12	3004-552	2	Screw, Cap	42	3402-077	1	Seal, Oil (4x4)
13	3402-224	1	Bearing, Middle	43	3423-056	1	O-Ring (4x4)
14	3446-136	1	Driveshaft	44	3423-143	1	Screw, Cap (4x4)
15	3446-141	1	Gear, 1st Driven	45	3004-507	2	Screw, Cap (4x4)
16	3446-144	2	Bushing	46	3402-009	1	Washer (4x4)
17	3423-036	3	Washer, Lock	47	3446-148	1	Shaft, Reverse Idle
18	3423-066	4	Circlip	48	3446-149	1	Gear, Reverse Idle
19	3446-142	1	Gear, 2nd Driven	49	3402-228	1	Bushing
20	3402-230	1	Bushing	50	3446-150	1	Spacer
21	3423-317	1	Washer	51	3402-209	1	Washer
22	3446-143	1	Gear, 3rd Driven	52	3402-255	1	Plug, Cover Hole (2x4)
23	3423-266	1	Washer, Lock	53	3446-153	1	Retainer, Transfer Cover Plug (2x4) (300)
24	3423-262	1	Washer, Lock		3446-260	1	Retainer, Transfer Cover Plug (2x4) (250)
25	3446-146	1	Gear, 4th Driven	54	3423-231	2	Bolt, Retainer (2x4) (300)
26	3446-147	1	Gear, 5th Driven		3423-363	2	Bolt, Retainer (2x4) (250)
27	3446-151	1	Gear, Reverse Driven	55	0402-160	1	Cap, Speedometer Drive
28	3446-145	1	Bushing	56	3446-231	1	Gasket (300)
29	3446-152	1	Dog		3446-244	1	Gasket (250)
30	3423-263	1	Washer				



SECONDARY TRANSMISSION ASSEMBLY

0733-755

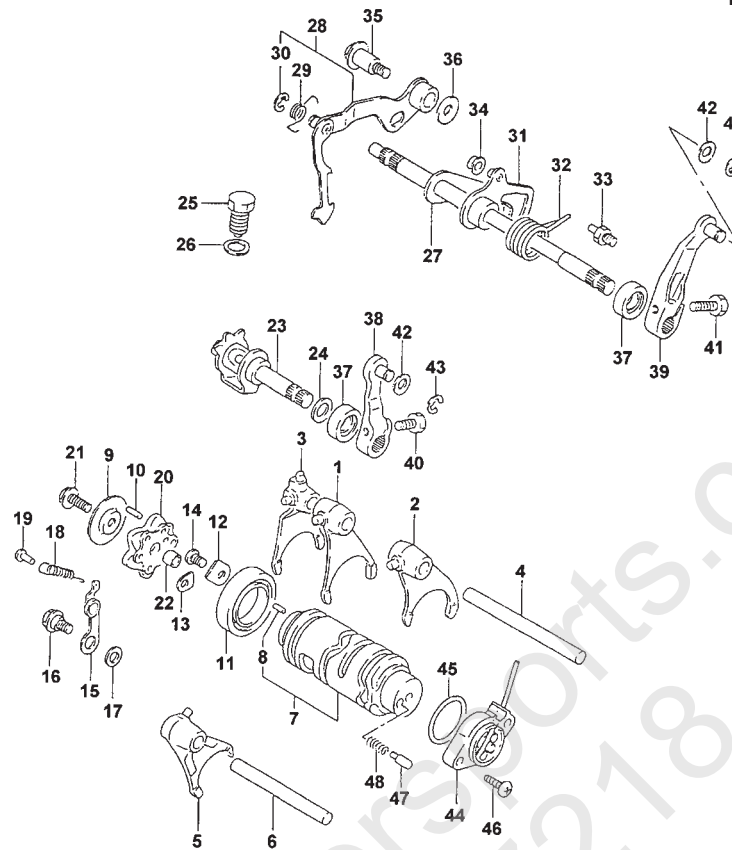
Ref.	Part No.	Qty.	Description	Ref.	Part No.	Qty.	Description
1	3446-206	1	Shaft, Sub Transmission (4x4)	21	3402-195	1	Washer
	3446-179	1	Shaft, Sub Transmission (2x4)	22	3402-207	1	Spacer
2	3446-207	1	Gear, Driven (4x4)	23	3423-066	1	Circlip
	3446-184	1	Gear, Driven (2x4)	24	3446-180	1	Gear, Idler
3	3423-338	1	Washer - Right (4x4)	25	3402-205	1	Washer
4	3423-298	1	Washer - Left (4x4)	26	3423-319	1	Washer
5	3446-208	1	Gear, Driven (4x4)	27	3003-261	1	Bearing, Drive - Left
6	3446-209	1	Dog, Driven Gear (4x4)	28	3402-217	1	Bearing, Counter - Left
7	3423-317	1	Washer (4x4)	29	3446-185	1	Fork
8	3423-318	1	Circlip	30	3446-210	1	Fork (4x4)
9	3402-278	1	Bearing - Right	31	3446-168	1	Shaft
10	3004-209	1	Bearing - Left	32	3446-230	1	Shaft (4x4)
11	3402-055	1	Bearing - Middle (300)	33	3446-211	1	Cam, Sub Transmission Gear (4x4)
	3402-180	1	Bearing - Middle (250)		3446-186	1	Cam, Sub Transmission Gear (2x4)
12	3446-031	2	Retainer	34	3446-187	1	Stopper
13	3446-154	1	Retainer	35	3402-241	1	Spring
14	3004-552	2	Screw, Cap	36	3423-141	1	Washer
15	0693-321	2	Screw, Cap	37	3423-240	1	Screw, Cap
16	3446-181	1	Gear, Drive	38	3423-268	1	Pin (4x4)
17	3446-069	1	Bushing (300)	39	3446-116	1	Arm
	3446-259	1	Bushing (250)	40	3423-125	1	Screw, Cap
18	3423-036	1	Washer	41	3423-204	1	Washer
19	3446-182	1	Gear, Drive	42	3423-168	1	E-Ring
20	3446-183	1	Dog, Drive Gear	43	3402-076	1	Seal, Oil



SECONDARY GEAR/PROPELLER SHAFT ASSEMBLY

0733-756

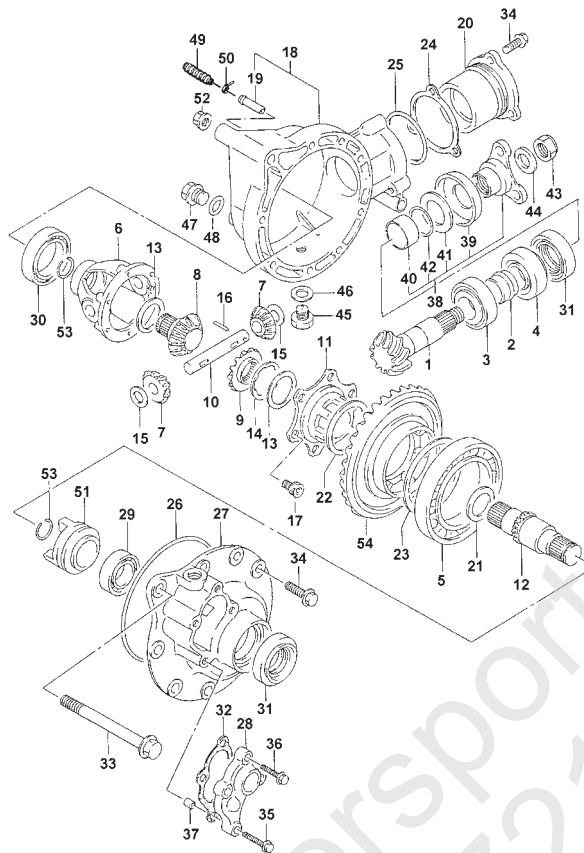
Ref. art No.	Qty.	Description	Ref. Part No.	Qty.	Description
1	1	Gear, Secondary Drive Bevel (4x4)	11	1	Circlip (4x4)
2	1	Shim Set, Secondary Drive Bevel (4x4)	12	1	Shaft, Rear Final Driven
3	1	Washer (4x4)	13	1	Gear, Driven
4	1	Nut (4x4)	14	2	Bearing
5	1	Bearing, Front (4x4)	15	2	Seal, Oil
6	1	Bearing, Rear (4x4)	16	1	Boot (4x4)
7	1	Ring (4x4)	17	1	Yoke, Propeller Shaft Joint (4x4)
8	1	Shaft, Secondary Output (4x4)	18	1	Nut (4x4)
9	1	Shim, 25 x 34 x 0.50 mm (4x4)	19	1	Washer (4x4)
	1	Shim, 25 x 34 x 0.60 mm (4x4)	20	1	Gear, Secondary Driven Bevel (4x4)
	1	Shim, 25 x 34 x 0.65 mm (4x4)	21	2	Ring
	1	Shim, 25 x 34 x 0.70 mm (4x4)	22	2	Circlip
	1	Shim, 25 x 34 x 0.75 mm (4x4)	23	1	Coupling (4x4)
	1	Shim, 25 x 34 x 0.80 mm (4x4)	24	1	Joint, Universal (inc. 25) (4x4)
	1	Shim, 25 x 34 x 0.85 mm (4x4)	25	4	• Circlip
	1	Shim, 25 x 34 x 0.90 mm (4x4)	26	6	Screw, Cap (4x4)
	1	Shim, 25 x 34 x 0.95 mm (4x4)	27	6	Nut (4x4)
	1	Shim, 25 x 34 x 1 mm (4x4)	28	1	Yoke, Front Drive Output (inc. 28-32) (4x4)
	1	Shim, 25 x 34 x 1.05 mm (4x4)	29	1	• O-Ring
	1	Shim, 25 x 34 x 1.10 mm (4x4)	30	1	• Plate
	1	Shim, 25 x 34 x 1.15 mm (4x4)	31	1	• Collar
	1	Shim, 25 x 34 x 1.20 mm (4x4)	32	1	• Plate, Oil Seal
10	1	Seal, Oil			



GEAR SHIFTING ASSEMBLY

0733-757

Ref.	Part No.	Qty.	Description	Ref.	Part No.	Qty.	Description
1	3446-155	1	Fork, Gear Shifting	26	3402-012	1	Gasket
2	3446-156	1	Fork, Gear Shifting	27	3446-169	1	Shaft, Gear Shifting
3	3446-159	1	Fork, Gear Shifting	28	3446-170	1	Arm, Gear Shifting (inc. 29-30)
4	3446-167	1	Shaft	29	3402-312	1	• Spring
5	3446-157	1	Fork, Gear Shifting	30	3423-323	1	• E-Ring (300)
6	3446-051	1	Shaft		3423-368	1	• E-Ring (250)
7	3446-160	1	Cam, Gear Shifting (inc. 8)	31	3446-171	1	Arm, Link
8	3423-114	1	• Pin	32	3402-094	1	Spring
9	3446-162	1	Retainer, Pin	33	3446-172	1	Stopper, Arm
10	3423-045	6	Pin	34	3402-132	1	Roller
11	3402-051	1	Bearing	35	3423-233	1	Screw, Cap
12	3446-163	1	Retainer	36	3423-324	1	Washer
13	3446-031	1	Retainer	37	3402-076	2	Seal, Oil
14	3004-552	2	Screw, Cap	38	3446-055	1	Arm
15	3446-165	1	Stopper, Cam	39	3446-115	1	Arm, Gear Shifting Cable
16	3423-240	1	Screw, Cap	40	3423-125	1	Screw, Cap
17	3423-141	1	Washer	41	3423-228	1	Screw, Cap
18	3402-240	1	Spring	42	3423-204	2	Washer
19	3423-268	1	Pin	43	3423-168	2	E-Ring
20	3446-166	1	Plate, Stopper	44	3430-032	1	Base, Gear Shift-Assembly
21	3004-376	1	Screw, Cap	45	3423-273	1	O-Ring
22	3005-206	1	Pin	46	3423-325	2	Screw, Cap
23	3446-161	1	Cam, Reverse Shifting	47	3423-044	1	Contact
24	3423-322	1	Washer	48	3402-087	1	Spring
25	3446-164	1	Stopper, Cam				

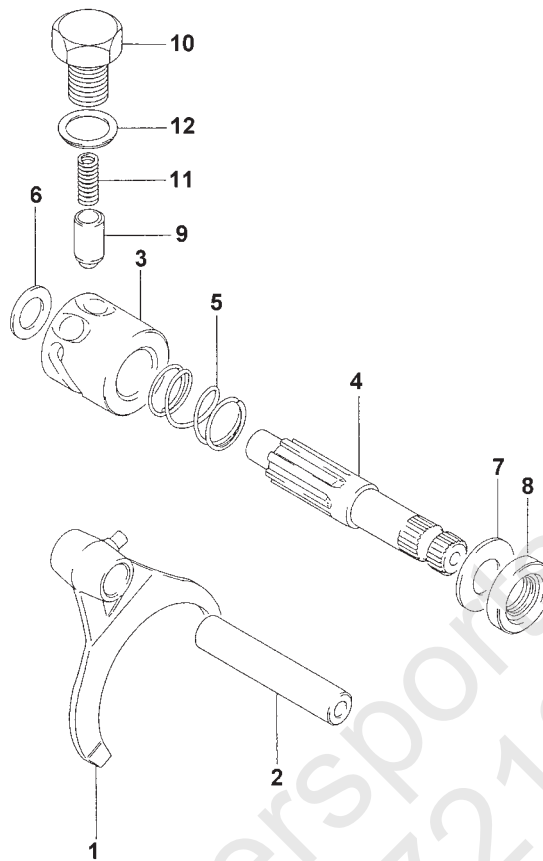


DIFFERENTIAL GEAR ASSEMBLY

(Complete Assembly p/n 3502-001)

0733-758 *Not in Assembly

Ref. art No.	Qty.	Description	Ref. Part No.	Qty.	Description
1	1	Gear, Front Drive Bevel	27	3435-078	1 Case, Driven Gear Bearing
2	1	Spacer	28	3435-079	1 Cover
3	1	Bearing, Front	29	3402-185	1 Bearing, Left
4	1	Bearing, Rear	30	3402-057	1 Bearing, Right
5	1	Bearing	31	3402-072	3 Seal, Oil
6	1	Case, Differential	32	3402-323	1 Gasket, Case Cover
7	2	Pinion, Differential Side	33	3423-010	2 Screw, Cap
8	1	Gear, Right	34	3423-175	11 Screw, Cap
9	1	Gear, Left	35	0693-327	2 Screw, Cap
10	1	Shaft, Pinion	36	3004-756	2 Screw, Cap
11	1	Hub	37	3005-206	2 Pin
12	1	Shaft, Driven Output	38	3435-009	1 Flange, Drive Bevel Gear (inc. 39-42)
13	AR	Washer	39	3423-034	1 • Plate
	AR	Washer	40	3435-029	1 • Collar
	AR	Washer	41	3435-030	1 • Plate, Oil Seal
14	1	Washer	42	3423-060	1 • O-Ring
15	2	Washer	43	3423-178	1 Nut
16	1	Pin, Pinion Shaft	44	3423-028	1 Washer
17	6	Screw, Cap	45	3402-036	1 Plug, Drain
18	1	Housing, Differential Gear (inc. 19)	46	3402-012	1 Gasket
19	1	• Union, Breather	47	3402-038	1 Plug, Filler
20	1	Housing, Drive Bevel Gear	48	3423-054	1 O-Ring
21	1	Washer	49	0402-147	1 Bladder, Case*
22	1	Shim Set, Front Drive Bevel Gear	50	0123-811	1 Tie, Cable*
23	1	Shim Set, Drive Gear Bearing	51	3435-075	1 Dog
24	1	Shim Set, Front Drive Bevel Housing	52	3423-341	2 Nut
25	1	O-Ring	53	3423-070	2 Circlip
26	1	O-Ring	54	3435-069	1 Gear, Front Driven Bevel

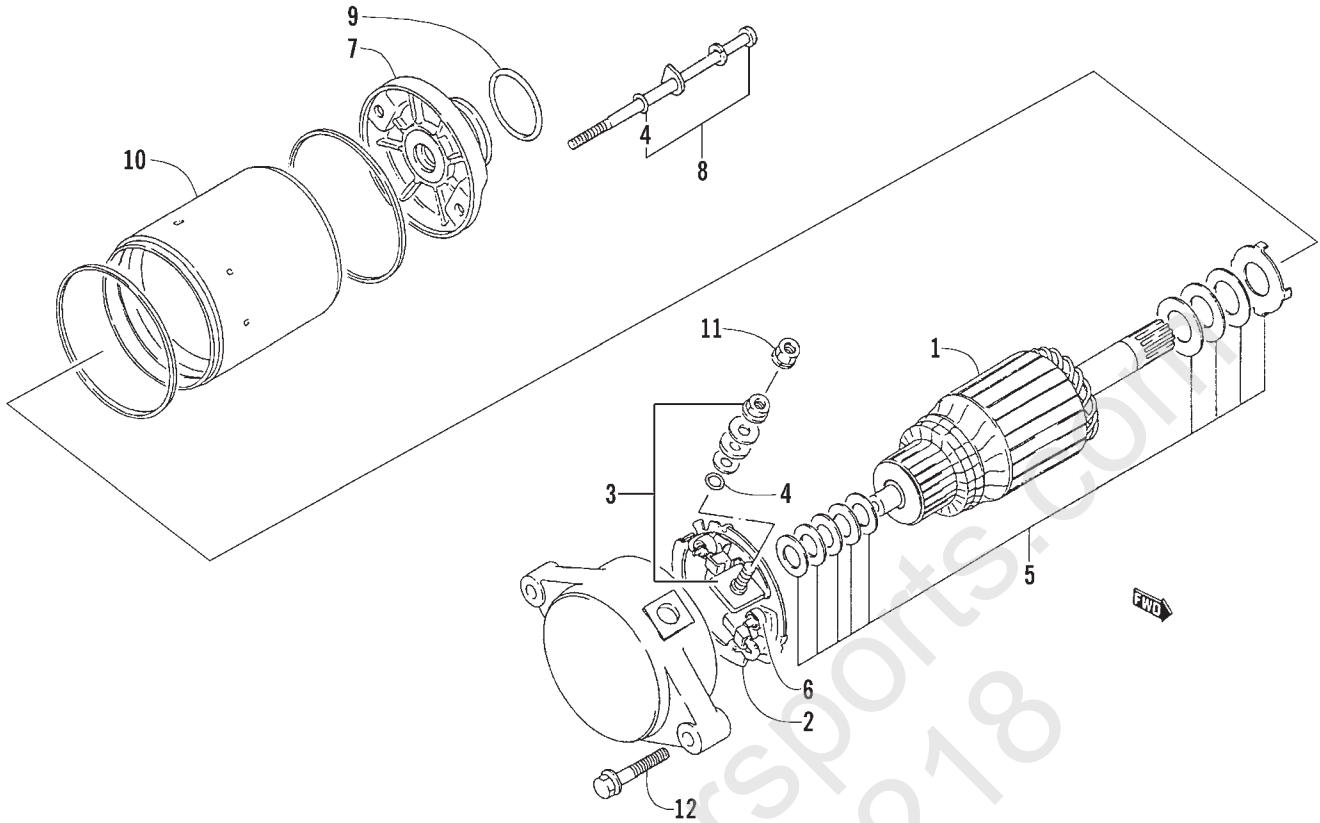


DIFFERENTIAL LOCK ASSEMBLY

0733-759

Ref.	Part No.	Qty.	Description	Ref.	Part No.	Qty.	Description
1	3446-205	1	Fork, Differential Locking	7	3423-339	1	Washer, Left
2	3446-202	1	Shaft, Fork	8	3402-076	1	Seal, Oil
3	3446-203	1	Cam, Differential Locking	9	3446-119	1	Stopper
4	3446-204	1	Shaft, Cam	10	3446-046	1	Housing
5	3402-311	1	Spring	11	3402-089	1	Spring
6	3423-300	1	Washer, Right	12	3402-012	1	Gasket

1999 250 2x4
 1999 300 2x4 and 300 4x4

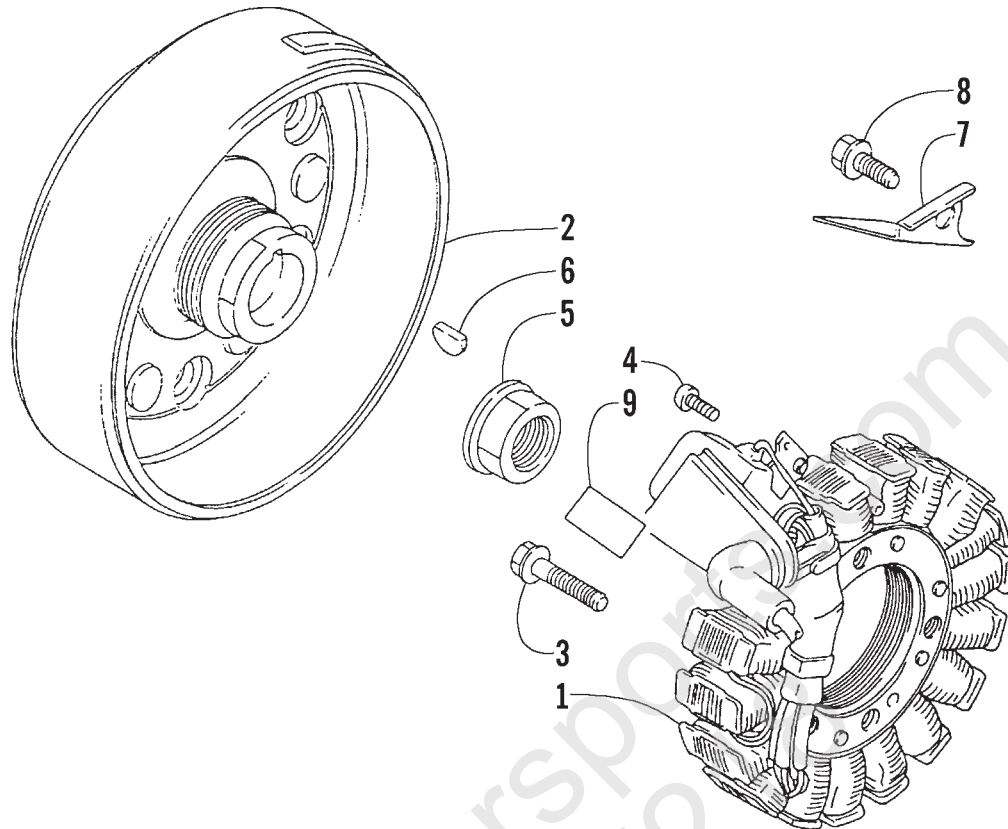


STARTER MOTOR ASSEMBLY

Complete Assembly p/n 3545-003

0733-760

Ref. art No.	Qty.	Description	Ref. Part No.	Qty.	Description		
1	3008-554	1	Armature	7	3008-552	1	Bracket, Front - Assembly
2	3008-550	1	Holder Set, Brush	8	3423-289	2	Bolt Set (inc. 4)
3	3008-549	1	Terminal Set, Brush (inc. 4)	9	3423-272	1	O-Ring
4	3008-164	3	• O-Ring	10	3008-553	2	O-Ring
5	3008-099	1	Washer Set	11	3423-195	1	Nut
6	3008-551	2	Spring, Brush	12	3004-756	2	Screw, Cap

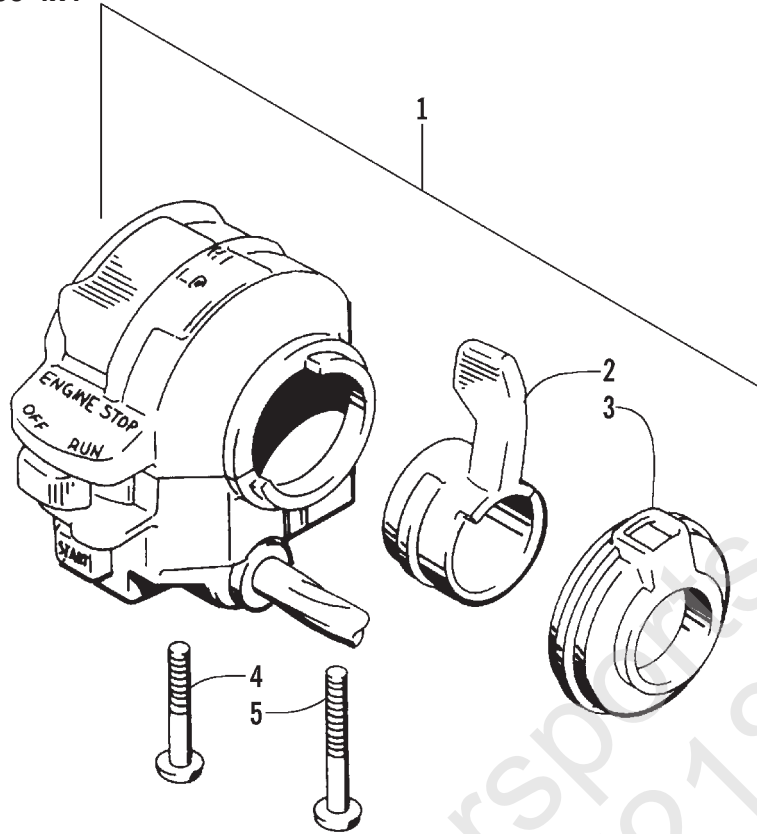


MAGNETO ASSEMBLY

0733-761

Ref.	Part No.	Qty.	Description	Ref.	Part No.	Qty.	Description
1	3430-021	1	Stator Assembly	5	3423-086	1	Nut, Magneto
2	3430-022	1	Rotor (300)	6	3004-540	1	Key
	<u>3430-039</u>	1	Rotor (250)	7	3430-023	1	Plate
3	3004-756	3	Bolt, Magneto	8	3423-112	1	Screw, Cap
4	3423-326	2	Screw, Cap	9	3430-036	1	Sheet, Heat Protection

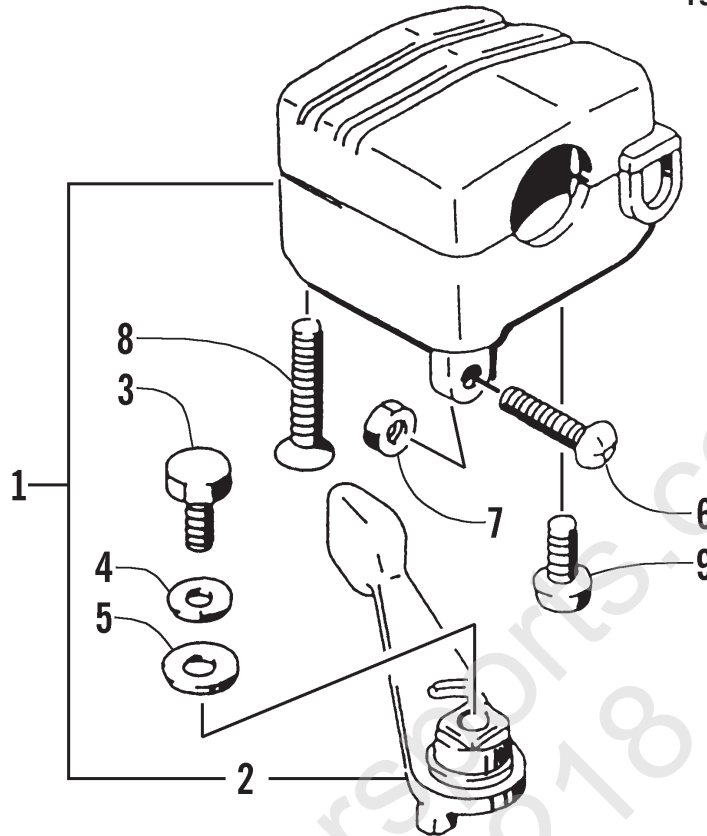
1999 250 2x4
 1999 300 2x4 and 300 4x4



CONTROL SWITCH HOUSING ASSEMBLY

0732-323

Ref. art No.	Qty.	Description	Ref. Part No.	Qty.	Description		
1	3509-001	1	Switch, Handle - Assembly (inc. 2-5)	4	3423-196	1	• Screw, Cap
2	3409-009	1	• Lever, Choke	5	3423-197	1	• Screw, Cap
3	3409-010	1	• Cover, Choke				



THROTTLE CASE ASSEMBLY

0732-324

Ref.	Part No.	Qty.	Description	Ref.	Part No.	Qty.	Description
1	3509-002	1	Case, Throttle - Assembly (inc. 2-9)	6	3423-014	1	• Screw, Cap
2	3409-001	1	• Lever	7	3423-327	1	• Nut
3	3004-533	1	• Screw, Cap	8	3423-199	2	• Screw, Cap
4	3004-447	1	• Washer, Lock	9	3004-638	1	• Screw, Cap
5	3003-030	1	• Washer				

Related Items

1999 250 2x4, 1999 300 2x4, and 1999 300 4x4

Model No. 99A2J-AP, 99A2C-AP, and 99A4C-AP

0436-016	Accessory Plug Kit	0436-003	Oil, Engine - 5W30
0436-127	Auxiliary Fan Kit (300 Models)	0436-005	Oil, Engine - 10W40
0436-151	Boot Protector (4x4)	0436-040	Portable Light - Spot
0402-210	Brake Pads, Mechanical	0436-039	Portable Light - Work
0402-096	Brake Pads, Hydraulic	0436-051	Portable Light Mount
0436-075	Bumper, Front (requires 0436-073)	0436-073	Rack, Deluxe - Front (requires 0436-075)
0436-043	Cargo Box	0436-142	Rack Bag, Black - Rear
0436-139	Cargo Trailer	0436-143	Rack Bag, Black - Front
0436-011	Cover - Camouflage	0436-074	Rack, Deluxe - Rear
0436-125	Cover - Gray	0436-175	Rack Bag, Camouflage - Rear
0436-010	Cover, Black and Green	0436-174	Rack Bag, Camouflage - Front
0436-151	CV Joint Protectors (rear)	0436-014	Safety Flag
0436-100	CV Joint Protectors - Front (300 4x4)	0436-173	Seat Cover, Camouflage
0436-087	Electrical Plug	0436-168	Shock Covers - Front/Rear
0436-077	Fender Flare, Rear (2x4 Models)	0436-181	Skid Plate, Rear (250 2x4)
0436-076	Fender Flare, Front (2x4 Models)	0436-116	Snow Plow - Mount (300 4x4)
0436-171	Fender Covers, Camouflage (300 4x4)	0436-153	Snow Plow - Mechanical Lift Kit (300 4x4)
0470-355	Filter, Air	0436-115	Snow Plow, 50" (300 4x4)
0436-177	Filter, Air - Prefilter	0217-713	Spark Plug, DR7EA
3436-005	Filter, Oil	0436-129	Speedometer (2x4 Models)
0436-007	Gear Lube, Differential - 80W90 (300 4x4)	0436-119	Spray Cleaner
0436-121	Gun Scabbard Mount	0436-101	Tie Down, Ratchet Style - Black
0436-023	Gun Scabbard	0436-032	Tie Down, Camloc Style - Black
0436-049	Handwarmers	0436-031	Tie Down, Camloc Style - Green
0409-005	Headlight Bulb	0436-041	Tire Repair Kit, Standard
0436-103	Hourmeter	0436-042	Tire Repair Kit, Deluxe
0436-141	Lunch Pak - Camouflage	0436-045	Tire Sealant
0436-122	Lunch Pak - Black	0436-034	Tool Holder
2256-094	Manual, Illustrated Parts	0436-152	Tool Box
2255-951	Manual, Operator's	0436-145	Winch Kit
2256-089	Manual, Service	0436-068	Winch, Accessory Kit
0436-154	Mirror	0436-117	Winch Mount
0436-015	Mud Flap, Rear (2x4 Models)		
0436-093	Mud Flap, Front		

